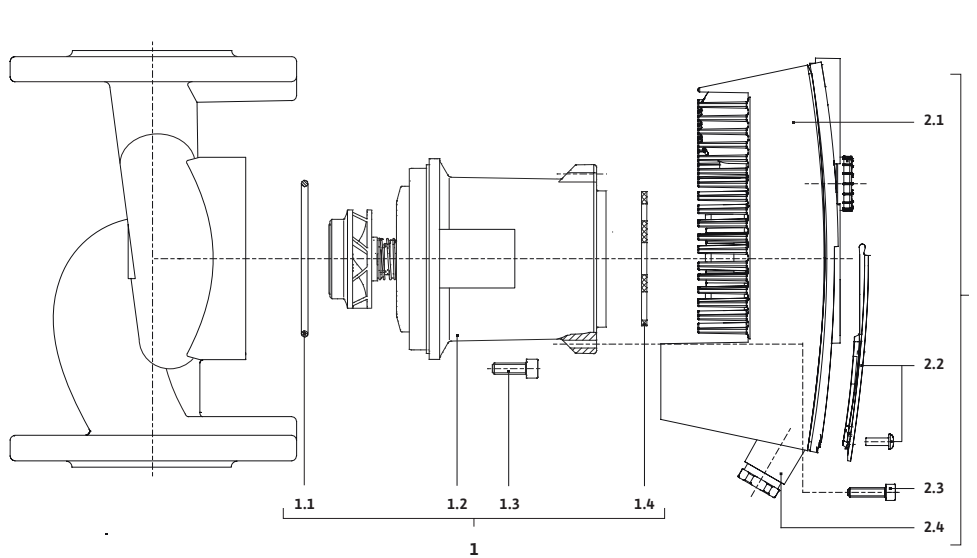


High Efficiency DHW Circulators



1. Motor Kit

- Includes:
- 1.1 O-Ring
 - 1.2 Rotating Assembly
 - 1.3 Drain Plug

2. Power Head Kit

- Includes:
- 1.4 Module Gasket
 - 2.1 Control Module
 - 2.2 Face Plate & Screw
 - 2.3 Mounting Screw
 - 2.4 IP Connection

Stratos Z – Spare Parts

Model	Article Number	Phase	Voltage	Motor Kit SW >6.0 (1)	List Price USD	Power Head Kit (2)	List Price USD	Motor + Power Head Kit (1) & (2)* List Price USD
Stratos Z 1.25x3-25	2113417	1	230	2131112	600	2112758	780	-
Stratos Z 1.25x3-35	2113418	1	230	2131113	600	2112762	1200	-
Stratos Z 1.5x3-25	2113419	1	230	2131114	780	2131109	1200	-
Stratos Z 1.5x3-40	2113420	1	230	2131115	1470	2112764	1400	-
Straots Z 2x3-30	2113622	3	230	2131116	1470	2131110	1400	-
Stratos Z 3x3-30	2113623	1	230	2164022*	2300	2112768	1900	3300

**Motor Kit 2164022 is NOT compatible with Power Module SW ≤6.0. In cases of motor replacement with a power module with SW ≤6.0, both motor and power module must be replaced