

2011 US Price List Water Management

Engineered water pumps and accessories for municipal and industrial applications.



Effective February 1, 2011

WPL-WM002-02-11 Supercedes WPL-WM001-05-10 and older

3" Engineered Sewage Pumps



Pump and Motor

All pumps shall be equipped with 33' Power and Control Cable

Model	Motor Design	Description	Susp Device	Speed	HP	Approx Wt. (lbs.)	List Price (\$)
FA 08.22 - Vortex Impeller							
FA08.22W	T 12-2/11GEx	Air Filled Motor - Wet Pit Only	DN80	3480	2.05	75	5704
FA08.22W	T 12-2/11GEx	Air Filled Motor - Wet Pit Only	DN80	3480	2.70	75	5704
FA08.22W	T 12-2/11GEx	Air Filled Motor - Wet Pit Only	DN80	3480	3.06	75	5704
FA 08.23 - Vortex Impeller							
FA 08.23W	T 13-2/9KEx	Air Filled Motor - Wet Pit Only	DN80	3480	2.15	112	8357
FA 08.23W	T 13-2/9KEx	Air Filled Motor - Wet Pit Only	DN80	3480	3.25	112	8357
FA 08.23W	T 13-2/12KEx	Air Filled Motor - Wet Pit Only	DN80	3480	3.00	116	8379
FA 08.23W	T 13-2/12KEx	Air Filled Motor - Wet Pit Only	DN80	3480	5.10	116	8379
FA 08.23W	T 13-2/16KEx	Air Filled Motor - Wet Pit Only	DN80	3480	6.80	124	9795
FA 08.34 - Single Vane Impeller							
FA 08.34E	T 13-2/9KEx	Air Filled Motor - Wet Pit Only	DN80	3480	2.15	117	8304
FA 08.34E	T 13-2/9KEx	Air Filled Motor - Wet Pit Only	DN80	3480	3.25	117	8304
FA 08.34E	T 13-2/12KEx	Air Filled Motor - Wet Pit Only	DN80	3480	3.00	121	8328
FA 08.34E	T 13-2/12KEx	Air Filled Motor - Wet Pit Only	DN80	3480	5.10	121	8328
FA 08.34E	T 13-2/16KEx	Air Filled Motor - Wet Pit Only	DN80	3480	6.80	129	9744
FA 08.41 - Single Vane Impeller							
FA 08.41E	T 12-4/6GEx	Air Filled Motor - Wet Pit Only	DN80	1740	0.68	71	6568
FA 08.41E	T 12-4/11GEx	Air Filled Motor - Wet Pit Only	DN80	1740	1.75	84	6734
FA 08.41E	T 12-4/11GEx	Air Filled Motor - Wet Pit Only	DN80	1740	2.05	84	6734
FA 08.43 - Single Vane Impeller							
FA 08.43E	T 13-2/9KEx	Air Filled Motor - Wet Pit Only	DN80	3480	3.25	119	8734
FA 08.43E	T 13-2/12KEx	Air Filled Motor - Wet Pit Only	DN80	3480	3.00	124	8787

3" Engineered Sewage Pumps



FA 08.43E	T 13-2/12KEx	Air Filled Motor - Wet Pit Only	DN80	3480	5.10	124	8787
FA 08.43E	T 13-2/16KEx	Air Filled Motor - Wet Pit Only	DN80	3480	6.80	131	10204
FA 08.43E	T 13-4/9KEx	Air Filled Motor - Wet Pit Only	DN80	1740	1.35	119	9685
FA 08.43E	T 13-4/9KEx	Air Filled Motor - Wet Pit Only	DN80	1740	2.35	119	9685
FA 08.43E	T 13-4/12KEx	Air Filled Motor - Wet Pit Only	DN80	1740	3.05	124	9911
FA 08.43E	T 13-4/18KEx	Air Filled Motor - Wet Pit Only	DN80	1740	5.40	133	10170

FA 08.52 - Vortex Impeller

FA 08.52W	T 17-6/8KEx	Air Filled Motor - Wet Pit Only	DN80	1140	2.70	168	11252
FA 08.52W	T 17-6/12KEx	Air Filled Motor - Wet Pit Only	DN80	1140	4.05	185	11772
FA 08.52W	T 17-6/16KEx	Air Filled Motor - Wet Pit Only	DN80	1140	6.00	209	12616
FA 08.52W	T 17-6/24KEx	Air Filled Motor - Wet Pit Only	DN80	1140	9.00	273	14165
FA 08.52W	FK 17.1-6/8KEx	Oil Filled Motor - Wet or Dry Pit	DN80	1140	2.80	260	12141
FA 08.52W	FK 17.1-6/12KEx	Oil Filled Motor - Wet or Dry Pit	DN80	1140	4.70	276	12626
FA 08.52W	FK 17.1-6/16KEx	Oil Filled Motor - Wet or Dry Pit	DN80	1140	6.20	309	13676
FA 08.52W	T 17-4/8KEx	Air Filled Motor - Wet Pit Only	DN80	1740	5.70	168	10092
FA 08.52W	T 17-4/12KEx	Air Filled Motor - Wet Pit Only	DN80	1740	7.40	185	10742
FA 08.52W	T 17-4/16KEx	Air Filled Motor - Wet Pit Only	DN80	1740	10.10	209	11534
FA 08.52W	T 17-4/24KEx	Air Filled Motor - Wet Pit Only	DN80	1740	15.40	273	13417
FA 08.52W	FK 17.1-4/8KEx	Oil Filled Motor - Wet or Dry Pit	DN80	1740	6.50	260	10967
FA 08.52W	FK 17.1-4/12KEx	Oil Filled Motor - Wet or Dry Pit	DN80	1740	7.40	276	11253
FA 08.52W	FK 17.1-4/16KEx	Oil Filled Motor - Wet or Dry Pit	DN80	1740	10.20	309	12982

FA 08.53 - Single Vane Impeller

FA 08.53E	T 13-4/9KEx	Air Filled Motor - Wet Pit Only	DN80	1740	1.75	148	10966
FA 08.53E	T 13-4/12KEx	Air Filled Motor - Wet Pit Only	DN80	1740	2.25	170	11334
FA 08.53E	T 13-4/18KEx	Air Filled Motor - Wet Pit Only	DN80	1740	4.00	194	11680
FA 08.53E	FK 17.1-4/8KEx	Oil Filled Motor - Wet or Dry Pit	DN80	1740	6.20	254	11822
FA 08.53E	FK 17.1-4/12KEx	Oil Filled Motor - Wet or Dry Pit	DN100	1740	7.40	269	12108
FA 08.53E	FK 17.1-4/16KEx	Oil Filled Motor - Wet or Dry Pit	DN100	1740	10.20	302	13837

FA 08.64 - Single Vane Impeller

FA 08.64E	T 17-6/8KEx	Air Filled Motor - Wet Pit Only	DN80	1140	2.70	198	12454
FA 08.64E	T 17-6/12KEx	Air Filled Motor - Wet Pit Only	DN80	1140	4.05	216	12974
FA 08.64E	T 17-6/16KEx	Air Filled Motor - Wet Pit Only	DN80	1140	6.00	240	13818
FA 08.64E	T 17.2-6/24KEx	Air Filled Motor - Wet Pit Only	DN80	1140	9.10	304	15954
FA 08.64E	T 20.1-6/22KEx	Air Filled Motor - Wet Pit Only	DN80	1140	14.70	474	18723
FA 08.64E	T 20.1-6/32KEx	Air Filled Motor - Wet Pit Only	DN80	1140	20.80	512	21046
FA 08.64E	FK 17.1-6/8KEx	Oil Filled Motor - Wet or Dry Pit	DN80	1140	2.80	291	13343
FA 08.64E	FK 17.1-6/12KEx	Oil Filled Motor - Wet or Dry Pit	DN80	1140	4.70	306	13829
FA 08.64E	FK 17.1-6/16KEx	Oil Filled Motor - Wet or Dry Pit	DN80	1140	6.20	340	14879

3" Engineered Sewage Pumps



FA 08.64E	HC 20.1-6/17KEx	Air Filled with Closed Loop Cooling System - Wet or Dry Pit	DN80	1140	10.70	483	22412
FA 08.64E	HC 20.1-6/22KEx	Air Filled with Closed Loop Cooling System - Wet or Dry Pit	DN80	1140	14.70	518	22486
FA 08.64E	HC 20.1-6/32KEx	Air Filled with Closed Loop Cooling System - Wet or Dry Pit	DN80	1140	20.80	560	23657
FA 08.64E	FK 202-6/12	Non-explosion proof ONLY - Oil Filled Motor - Wet or Dry Pit	DN80	1140	7.20	337	18692
FA 08.64E	FK 202-6/17	Non-explosion proof ONLY - Oil Filled Motor - Wet or Dry Pit	DN80	1140	10.00	366	19605
FA 08.64E	FK 202-6/22	Non-explosion proof ONLY - Oil Filled Motor - Wet or Dry Pit	DN80	1140	14.10	408	20685
FA 08.64E	FK 202-6/27	Non-explosion proof ONLY - Oil Filled Motor - Wet or Dry Pit	DN80	1140	18.00	445	22542
FA 08.64E	T 17-4/8KEx	Air Filled Motor - Wet Pit Only	DN80	1740	5.70	198	11294
FA 08.64E	T 17-4/12KEx	Air Filled Motor - Wet Pit Only	DN80	1740	7.40	216	11944
FA 08.64E	T 17-4/16KEx	Air Filled Motor - Wet Pit Only	DN80	1740	10.10	240	12186
FA 08.64E	T 17.2-4/24KEx	Air Filled Motor - Wet Pit Only	DN80	1740	15.40	304	15997
FA 08.64E	T 20.1-4/22KEx	Air Filled Motor - Wet Pit Only	DN80	1740	23.50	474	19962
FA 08.64E	T 20.1-4/30KEx	Air Filled Motor - Wet Pit Only	DN80	1740	31.50	505	21463
FA 08.64E	FK 17.1-4/8KEx	Oil Filled Motor - Wet or Dry Pit	DN80	1740	6.20	291	12201
FA 08.64E	FK 17.1-4/12KEx	Oil Filled Motor - Wet or Dry Pit	DN80	1740	7.40	306	12455
FA 08.64E	FK 17.1-4/16KEx	Oil Filled Motor - Wet or Dry Pit	DN80	1740	10.20	309	14184
FA 08.64E	HC 20.1-4/17KEx	Air Filled with Closed Loop Cooling System - Wet or Dry Pit	DN80	1740	15.40	483	21980
FA 08.64E	HC 20.1-4/22KEx	Air Filled with Closed Loop Cooling System - Wet or Dry Pit	DN80	1740	23.50	518	23402
FA 08.64E	HC 20.1-4/30KEx	Air Filled with Closed Loop Cooling System - Wet or Dry Pit	DN80	1740	31.50	553	24131
FA 08.64E	FK 202-4/12	Non-explosion proof ONLY - Oil Filled Motor - Wet or Dry Pit	DN80	1740	10.50	337	18173
FA 08.64E	FK 202-4/17	Non-explosion proof ONLY - Oil Filled Motor - Wet or Dry Pit	DN80	1740	15.40	366	19008
FA 08.64E	FK 202-4/22	Non-explosion proof ONLY - Oil Filled Motor - Wet or Dry Pit	DN80	1740	20.00	408	19677
FA 08.64E	FK 202-4/27	Non-explosion proof ONLY - Oil Filled Motor - Wet or Dry Pit	DN80	1740	25.00	445	21659

FA 08.73 - Vortex Impeller							
FA 08.73W	T 17-4/8KEx	Air Filled Motor - Wet Pit Only	DN80	1740	5.70	168	10463
FA 08.73W	T 17-4/12KEx	Air Filled Motor - Wet Pit Only	DN80	1740	7.40	185	11113
FA 08.73W	T 17-4/16KEx	Air Filled Motor - Wet Pit Only	DN80	1740	10.10	210	11906
FA 08.73W	T 17-4/24KEx	Air Filled Motor - Wet Pit Only	DN80	1740	15.40	274	13789
FA 08.73W	T 20.1-4/22KEx	Air Filled Motor - Wet Pit Only	DN80	1740	23.50	443	19131
FA 08.73W	T 20.1-4/30KEx	Air Filled Motor - Wet Pit Only	DN80	1740	31.50	474	20633
FA 08.73W	FK 17.1-4/8KEx	Oil Filled Motor - Wet or Dry Pit	DN80	1740	6.20	260	10463
FA 08.73W	FK 17.1-4/12KEx	Oil Filled Motor - Wet or Dry Pit	DN80	1740	7.40	276	11113
FA 08.73W	FK 17.1-4/16KEx	Oil Filled Motor - Wet or Dry Pit	DN80	1740	10.20	309	11906
FA 08.73W	HC 20.1-4/17KEx	Air Filled with Closed Loop Cooling System - Wet or Dry Pit	DN80	1740	15.40	452	21149
FA 08.73W	HC 20.1-4/22KEx	Air Filled with Closed Loop Cooling System - Wet or Dry Pit	DN80	1740	23.50	487	22572
FA 08.73W	HC 20.1-4/30KEx	Air Filled with Closed Loop Cooling System - Wet or Dry Pit	DN80	1740	31.50	523	23301
FA 08.73W	FK 202-4/12	Non-explosion proof ONLY - Oil Filled Motor - Wet or Dry Pit	DN80	1740	10.50	306	17343
FA 08.73W	FK 202-4/17	Non-explosion proof ONLY - Oil Filled Motor - Wet or Dry Pit	DN80	1740	15.40	335	18178
FA 08.73W	FK 202-4/22	Non-explosion proof ONLY - Oil Filled Motor - Wet or Dry Pit	DN80	1740	20.00	377	18846
FA 08.73W	FK 202-4/27	Non-explosion proof ONLY - Oil Filled Motor - Wet or Dry Pit	DN80	1740	25.00	415	20829

3" Engineered Sewage Pumps



* If explosion proof rating is not required the following credit can be applied:

<u>Motor:</u>	<u>Credit:</u>
T 12	\$422.00
T 13	\$443.00
T 17; T 17.2	\$607.00
T 20.1	\$763.00

4" Engineered Sewage Pumps



Pump and Motor

All pumps shall be equipped with 33' Power and Control Cable

Model	Motor Design	Description	Susp Device	Speed	HP	Approx Wt. (lbs.)	List Price (\$)
FA 10.22 - Vortex Impeller							
FA 10.22W	T 17-6/8KEx	Air Filled Motor - Wet Pit Only	DN100	1140	2.70	172	11376
FA 10.22W	T 17-6/12KEx	Air Filled Motor - Wet Pit Only	DN100	1140	4.05	189	11895
FA 10.22W	T 17-6/16KEx	Air Filled Motor - Wet Pit Only	DN100	1140	6.00	214	12740
FA 10.22W	T 17-6/24KEx	Air Filled Motor - Wet Pit Only	DN100	1140	9.00	278	14288
FA 10.22W	FK 17.1-6/8KEx	Oil Filled Motor - Wet or Dry Pit	DN100	1140	2.80	264	12265
FA 10.22W	FK 17.1-6/12KEx	Oil Filled Motor - Wet or Dry Pit	DN100	1140	4.70	280	12750
FA 10.22W	FK 17.1-6/16KEx	Oil Filled Motor - Wet or Dry Pit	DN100	1140	6.20	313	13800
FA 10.22W	T 17-4/8KEx	Air Filled Motor - Wet Pit Only	DN100	1740	5.60	168	10215
FA 10.22W	T 17-4/12KEx	Air Filled Motor - Wet Pit Only	DN100	1740	7.40	185	10865
FA 10.22W	T 17-4/16KEx	Air Filled Motor - Wet Pit Only	DN100	1740	10.10	210	11658
FA 10.22W	T 17-4/24KEx	Air Filled Motor - Wet Pit Only	DN100	1740	15.40	278	13541
FA 10.22W	FK 17.1-4/8KEx	Oil Filled Motor - Wet or Dry Pit	DN100	1740	6.20	249	11091
FA 10.22W	FK 17.1-4/12KEx	Oil Filled Motor - Wet or Dry Pit	DN100	1740	7.40	272	11377
FA 10.22W	FK 17.1-4/16KEx	Oil Filled Motor - Wet or Dry Pit	DN100	1740	10.20	307	13106
FA 10.33 - Single Vane Impeller							
FA10.33E	T 17-4/8KEx	Air Filled Motor - Wet Pit Only	DN100	1740	5.60	163	11118
FA10.33E	T 17-4/12KEx	Air Filled Motor - Wet Pit Only	DN100	1740	7.40	180	11768
FA10.33E	T 17-4/16KEx	Air Filled Motor - Wet Pit Only	DN100	1740	10.10	205	12561
FA10.33E	FK 17.1-4/8KEx	Oil Filled Motor - Wet or Dry Pit	DN100	1740	6.20	244	11994
FA10.33E	FK 17.1-4/12KEx	Oil Filled Motor - Wet or Dry Pit	DN100	1740	7.40	267	12280
FA10.33E	FK 17.1-4/16KEx	Oil Filled Motor - Wet or Dry Pit	DN100	1740	10.20	302	14009
FA 10.34 - Single Vane Impeller							
FA 10.34E	T 17-6/8KEx	Air Filled Motor - Wet Pit Only	DN100	1140	2.70	201	12804
FA 10.34E	T 17-6/12KEx	Air Filled Motor - Wet Pit Only	DN100	1140	4.05	218	13323

4" Engineered Sewage Pumps



FA 10.34E	T 17-6/16KEx	Air Filled Motor - Wet Pit Only	DN100	1140	6.00	243	14168
FA 10.34E	T 17.2-6/24KEx	Air Filled Motor - Wet Pit Only	DN100	1140	9.10	307	16303
FA 10.34E	T 20.1-6/22KEx	Air Filled Motor - Wet Pit Only	DN100	1140	14.70	476	19072
FA 10.34E	T 20.1-6/32KEx	Air Filled Motor - Wet Pit Only	DN100	1140	20.80	514	21396
FA 10.34E	FK 17.1-6/8KEx	Oil Filled Motor - Wet or Dry Pit	DN100	1140	2.80	293	13693
FA 10.34E	FK 17.1-6/12KEx	Oil Filled Motor - Wet or Dry Pit	DN100	1140	4.70	309	14178
FA 10.34E	FK 17.1-6/16KEx	Oil Filled Motor - Wet or Dry Pit	DN100	1140	6.20	342	15228
FA 10.34E	HC 20.1-6/17KEx	Air Filled with Closed Loop Cooling System - Wet or Dry Pit	DN100	1140	10.70	485	22762
FA 10.34E	HC 20.1-6/22KEx	Air Filled with Closed Loop Cooling System - Wet or Dry Pit	DN100	1140	14.70	520	22835
FA 10.34E	HC 20.1-6/32KEx	Air Filled with Closed Loop Cooling System - Wet or Dry Pit	DN100	1140	20.80	562	24006
FA 10.34E	FK 202-6/12	Non-explosion proof ONLY - Oil Filled Motor - Wet or Dry Pit	DN100	1140	7.20	340	19127
FA 10.34E	FK 202-6/17	Non-explosion proof ONLY - Oil Filled Motor - Wet or Dry Pit	DN100	1140	10.00	368	19954
FA 10.34E	FK 202-6/22	Non-explosion proof ONLY - Oil Filled Motor - Wet or Dry Pit	DN100	1140	14.10	410	21035
FA 10.34E	FK 202-6/27	Non-explosion proof ONLY - Oil Filled Motor - Wet or Dry Pit	DN100	1140	18.00	448	22892
FA 10.34E	T 17-4/8KEx	Air Filled Motor - Wet Pit Only	DN100	1740	5.60	201	11643
FA 10.34E	T 17-4/12KEx	Air Filled Motor - Wet Pit Only	DN100	1740	7.40	218	12293
FA 10.34E	T 17-4/16KEx	Air Filled Motor - Wet Pit Only	DN100	1740	10.10	243	13086
FA 10.34E	T 17.2-4/24KEx	Air Filled Motor - Wet Pit Only	DN100	1740	15.40	307	14931
FA 10.34E	T 20.1-4/22KEx	Air Filled Motor - Wet Pit Only	DN100	1740	23.50	476	20311
FA 10.34E	T 20.1-4/30KEx	Air Filled Motor - Wet Pit Only	DN100	1740	31.50	507	21263
FA 10.34E	FK 17.1-4/8KEx	Oil Filled Motor - Wet or Dry Pit	DN100	1740	6.20	293	12519
FA 10.34E	FK 17.1-4/12KEx	Oil Filled Motor - Wet or Dry Pit	DN100	1740	7.40	305	12805
FA 10.34E	FK 17.1-4/16KEx	Oil Filled Motor - Wet or Dry Pit	DN100	1740	10.20	340	14534
FA 10.34E	HC 20.1-4/17KEx	Air Filled with Closed Loop Cooling System - Wet or Dry Pit	DN100	1740	15.40	485	22329
FA 10.34E	HC 20.1-4/22KEx	Air Filled with Closed Loop Cooling System - Wet or Dry Pit	DN100	1740	23.50	520	23752
FA 10.34E	FK 202-4/12	Non-explosion proof ONLY - Oil Filled Motor - Wet or Dry Pit	DN100	1740	10.50	340	18523
FA 10.34E	FK 202-4/17	Non-explosion proof ONLY - Oil Filled Motor - Wet or Dry Pit	DN100	1740	15.40	368	19358
FA 10.34E	FK 202-4/22	Non-explosion proof ONLY - Oil Filled Motor - Wet or Dry Pit	DN100	1740	20.00	410	20027
FA 10.34E	FK 202-4/27	Non-explosion proof ONLY - Oil Filled Motor - Wet or Dry Pit	DN100	1740	25.00	448	22009

FA 10.43 - Single Vane Impeller

FA 10.41E	T 17-4/8KEx	Air Filled Motor - Wet Pit Only	DN100	1740	5.60	156	10139
FA 10.41E	T 17-4/12KEx	Air Filled Motor - Wet Pit Only	DN100	1740	7.40	173	10789
FA 10.41E	T 17-4/16KEx	Air Filled Motor - Wet Pit Only	DN100	1740	10.10	198	11582
FA 10.41E	FK 17.1-4/8KEx	Oil Filled Motor - Wet or Dry Pit	DN100	1740	6.20	237	11015
FA 10.41E	FK 17.1-4/12KEx	Oil Filled Motor - Wet or Dry Pit	DN100	1740	7.40	260	11300
FA 10.41E	FK 17.1-4/16KEx	Oil Filled Motor - Wet or Dry Pit	DN100	1740	10.20	295	13029

FA 10.43 - Vortex Impeller

FA 10.43W	T 17-4/12KEx	Air Filled Motor - Wet Pit Only	DN100	1740	7.40	190	11526
FA 10.43W	T 17-4/16KEx	Air Filled Motor - Wet Pit Only	DN100	1740	10.10	214	12319

4" Engineered Sewage Pumps



FA 10.43W	T 17-4/24KEEx	Air Filled Motor - Wet Pit Only	DN100	1740	15.40	278	14201
FA 10.43W	T 20.1-4/22KEEx	Air Filled Motor - Wet Pit Only	DN100	1740	23.50	447	19544
FA 10.43W	T 20.1-4/30KEEx	Air Filled Motor - Wet Pit Only	DN100	1740	31.50	478	21045
FA 10.43W	FK 17.1-4/8KEEx	Oil Filled Motor - Wet or Dry Pit	DN100	1740	6.20	265	11783
FA 10.43W	FK 17.1-4/12KEEx	Oil Filled Motor - Wet or Dry Pit	DN100	1740	7.40	280	12037
FA 10.43W	FK 17.1-4/16KEEx	Oil Filled Motor - Wet or Dry Pit	DN100	1740	10.20	311	13767
FA 10.43W	HC 20.1-4/17KEEx	Air Filled with Closed Loop Cooling System - Wet or Dry Pit	DN100	1740	15.40	456	21562
FA 10.43W	HC 20.1-4/22KEEx	Air Filled with Closed Loop Cooling System - Wet or Dry Pit	DN100	1740	23.50	491	22985
FA 10.43W	HC 20.1-4/30KEEx	Air Filled with Closed Loop Cooling System - Wet or Dry Pit	DN100	1740	31.50	527	23713
FA 10.43W	FK 202-4/12	Non-explosion proof ONLY - Oil Filled Motor - Wet or Dry Pit	DN100	1740	10.50	311	17756
FA 10.43W	FK 202-4/17	Non-explosion proof ONLY - Oil Filled Motor - Wet or Dry Pit	DN100	1740	15.40	339	18428
FA 10.43W	FK 202-4/22	Non-explosion proof ONLY - Oil Filled Motor - Wet or Dry Pit	DN100	1740	20.00	381	19260
FA 10.43W	FK 202-4/27	Non-explosion proof ONLY - Oil Filled Motor - Wet or Dry Pit	DN100	1740	25.00	419	21242

FA 10.44 - Vortex Impeller							
FA 10.44W	T 17-6/8KEEx	Air Filled Motor - Wet Pit Only	DN100	1140	2.70	243	13772
FA 10.44W	T 17-6/12KEEx	Air Filled Motor - Wet Pit Only	DN100	1140	4.05	260	14292
FA 10.44W	T 17-6/16KEEx	Air Filled Motor - Wet Pit Only	DN100	1140	6.00	278	15136
FA 10.44W	T 17-6/24KEEx	Air Filled Motor - Wet Pit Only	DN100	1140	9.00	342	16685
FA 10.44W	T 20.1-6/22KEEx	Air Filled Motor - Wet Pit Only	DN100	1140	14.70	511	20040
FA 10.44W	T 20.1-6/32KEEx	Air Filled Motor - Wet Pit Only	DN100	1140	20.80	549	22364
FA 10.44W	FK 17.1-6/8KEEx	Oil Filled Motor - Wet or Dry Pit	DN100	1140	2.80	335	14661
FA 10.44W	FK 17.1-6/12KEEx	Oil Filled Motor - Wet or Dry Pit	DN100	1140	4.70	351	15146
FA 10.44W	FK 17.1-6/16KEEx	Oil Filled Motor - Wet or Dry Pit	DN100	1140	6.20	377	16196
FA 10.44W	HC 20.1-6/17KEEx	Air Filled with Closed Loop Cooling System - Wet or Dry Pit	DN100	1140	10.70	520	23730
FA 10.44W	HC 20.1-6/22KEEx	Air Filled with Closed Loop Cooling System - Wet or Dry Pit	DN100	1140	14.70	555	23804
FA 10.44W	HC 20.1-6/32KEEx	Air Filled with Closed Loop Cooling System - Wet or Dry Pit	DN100	1140	20.80	597	24974
FA 10.44W	FK 202-6/12	Non-explosion proof ONLY - Oil Filled Motor - Wet or Dry Pit	DN100	1140	7.20	375	20095
FA 10.44W	FK 202-6/17	Non-explosion proof ONLY - Oil Filled Motor - Wet or Dry Pit	DN100	1140	10.00	403	20922
FA 10.44W	FK 202-6/22	Non-explosion proof ONLY - Oil Filled Motor - Wet or Dry Pit	DN100	1140	14.10	445	22003
FA 10.44W	FK 202-6/27	Non-explosion proof ONLY - Oil Filled Motor - Wet or Dry Pit	DN100	1140	18.00	483	23860
FA 10.44W	T 17-4/12KEEx	Air Filled Motor - Wet Pit Only	DN100	1740	7.40	260	13262
FA 10.44W	T 17-4/16KEEx	Air Filled Motor - Wet Pit Only	DN100	1740	10.10	284	14054
FA 10.44W	T 17-4/24KEEx	Air Filled Motor - Wet Pit Only	DN100	1740	15.40	348	15937
FA 10.44W	T 20.1-4/22KEEx	Air Filled Motor - Wet Pit Only	DN100	1740	23.50	518	21279
FA 10.44W	T 20.1-4/30KEEx	Air Filled Motor - Wet Pit Only	DN100	1740	31.50	549	22781
FA 10.44W	HC 20.1-4/17KEEx	Air Filled with Closed Loop Cooling System - Wet or Dry Pit	DN100	1740	15.40	527	23297
FA 10.44W	HC 20.1-4/22KEEx	Air Filled with Closed Loop Cooling System - Wet or Dry Pit	DN100	1740	23.50	562	24720
FA 10.44W	HC 20.1-4/30KEEx	Air Filled with Closed Loop Cooling System - Wet or Dry Pit	DN100	1740	31.50	597	25449
FA 10.44W	FK 202-4/12	Non-explosion proof ONLY - Oil Filled Motor - Wet or Dry Pit	DN100	1740	10.50	381	19491
FA 10.44W	FK 202-4/17	Non-explosion proof ONLY - Oil Filled Motor - Wet or Dry Pit	DN100	1740	15.40	410	20326

4" Engineered Sewage Pumps



FA 10.44W	FK 202-4/22	Non-explosion proof ONLY - Oil Filled Motor - Wet or Dry Pit	DN100	1740	20.00	452	20995
FA 10.44W	FK 202-4/27	Non-explosion proof ONLY - Oil Filled Motor - Wet or Dry Pit	DN100	1740	25.00	489	22977

FA 10.51 - Single Vane Impeller

FA 10.51E	T 17-6/8KEx	Air Filled Motor - Wet Pit Only	DN100	1140	2.70	152	12013
FA 10.51E	T 17-6/12KEx	Air Filled Motor - Wet Pit Only	DN100	1140	4.05	170	12533
FA 10.51E	T 17-6/16KEx	Air Filled Motor - Wet Pit Only	DN100	1140	6.00	194	13377
FA 10.51E	FK 17.1-6/8KEx	Oil Filled Motor - Wet or Dry Pit	DN100	1140	2.80	245	12902
FA 10.51E	FK 17.1-6/12KEx	Oil Filled Motor - Wet or Dry Pit	DN100	1140	4.70	260	13388
FA 10.51E	FK 17.1-6/16KEx	Oil Filled Motor - Wet or Dry Pit	DN100	1140	6.20	293	14438
FA 10.51E	T 17-4/8KEx	Air Filled Motor - Wet Pit Only	DN100	1740	5.60	148	10853
FA 10.51E	T 17-4/12KEx	Air Filled Motor - Wet Pit Only	DN100	1740	7.40	170	11503
FA 10.51E	T 17-4/16KEx	Air Filled Motor - Wet Pit Only	DN100	1740	10.10	194	12296
FA 10.51E	FK 17.1-4/8KEx	Oil Filled Motor - Wet or Dry Pit	DN100	1740	6.20	245	11729
FA 10.51E	FK 17.1-4/12KEx	Oil Filled Motor - Wet or Dry Pit	DN100	1740	7.40	260	12014
FA 10.51E	FK 17.1-4/16KEx	Oil Filled Motor - Wet or Dry Pit	DN100	1740	10.20	293	13743

FA 10.53 - Vortex Impeller

FA 10.53W	T 17-6/8KEx	Air Filled Motor - Wet Pit Only	DN100	1140	2.70	169	11633
FA 10.53W	T 17-6/12KEx	Air Filled Motor - Wet Pit Only	DN100	1140	4.05	187	12153
FA 10.53W	T 17-6/16KEx	Air Filled Motor - Wet Pit Only	DN100	1140	6.00	212	12997
FA 10.53W	T 17-6/24KEx	Air Filled Motor - Wet Pit Only	DN100	1140	9.00	276	14546
FA 10.53W	T 20.1-6/22KEx	Air Filled Motor - Wet Pit Only	DN100	1140	14.70	445	17901
FA 10.53W	T 20.1-6/32KEx	Air Filled Motor - Wet Pit Only	DN100	1140	20.80	483	20225
FA 10.53W	FK 17.1-6/8KEx	Oil Filled Motor - Wet or Dry Pit	DN100	1140	2.80	262	12522
FA 10.53W	FK 17.1-6/12KEx	Oil Filled Motor - Wet or Dry Pit	DN100	1140	4.70	278	13007
FA 10.53W	FK 17.1-6/16KEx	Oil Filled Motor - Wet or Dry Pit	DN100	1140	6.20	311	14057
FA 10.53W	HC 20.1-6/17KEx	Air Filled with Closed Loop Cooling System - Wet or Dry Pit	DN100	1140	10.70	454	21591
FA 10.53W	HC 20.1-6/22KEx	Air Filled with Closed Loop Cooling System - Wet or Dry Pit	DN100	1140	14.70	489	21665
FA 10.53W	HC 20.1-6/32KEx	Air Filled with Closed Loop Cooling System - Wet or Dry Pit	DN100	1140	20.80	531	22835
FA 10.53W	FK 202-6/12	Non-explosion proof ONLY - Oil Filled Motor - Wet or Dry Pit	DN100	1140	7.20	233	17956
FA 10.53W	FK 202-6/17	Non-explosion proof ONLY - Oil Filled Motor - Wet or Dry Pit	DN100	1140	10.00	337	18783
FA 10.53W	FK 202-6/22	Non-explosion proof ONLY - Oil Filled Motor - Wet or Dry Pit	DN100	1140	14.10	379	19864
FA 10.53W	FK 202-6/27	Non-explosion proof ONLY - Oil Filled Motor - Wet or Dry Pit	DN100	1140	18.00	417	21721
FA 10.53W	T 17-4/8KEx	Air Filled Motor - Wet Pit Only	DN100	1740	5.60	170	10473
FA 10.53W	T 17-4/12KEx	Air Filled Motor - Wet Pit Only	DN100	1740	7.40	187	11123
FA 10.53W	T 17-4/16KEx	Air Filled Motor - Wet Pit Only	DN100	1740	10.10	212	11915
FA 10.53W	T 17-4/24KEx	Air Filled Motor - Wet Pit Only	DN100	1740	15.40	276	13798
FA 10.53W	T 20.1-4/22KEx	Air Filled Motor - Wet Pit Only	DN100	1740	23.50	445	19140
FA 10.53W	T 20.1-4/30KEx	Air Filled Motor - Wet Pit Only	DN100	1740	31.50	476	20642
FA 10.53W	FK 17.1-4/8KEx	Oil Filled Motor - Wet or Dry Pit	DN100	1740	6.20	262	11348

4" Engineered Sewage Pumps



FA 10.53W	FK 17.1-4/12KEx	Oil Filled Motor - Wet or Dry Pit	DN100	1740	7.40	274	11634
FA 10.53W	FK 17.1-4/16KEx	Oil Filled Motor - Wet or Dry Pit	DN100	1740	10.20	309	13363
FA 10.53W	HC 20.1-4/17KEx	Air Filled with Closed Loop Cooling System - Wet or Dry Pit	DN100	1740	15.40	454	21159
FA 10.53W	HC 20.1-4/22KEx	Air Filled with Closed Loop Cooling System - Wet or Dry Pit	DN100	1740	23.50	489	22581
FA 10.53W	HC 20.1-4/30KEx	Air Filled with Closed Loop Cooling System - Wet or Dry Pit	DN100	1740	31.50	525	23310
FA 10.53W	FK 202-4/12	Non-explosion proof ONLY - Oil Filled Motor - Wet or Dry Pit	DN100	1740	10.50	309	17352
FA 10.53W	FK 202-4/17	Non-explosion proof ONLY - Oil Filled Motor - Wet or Dry Pit	DN100	1740	15.40	337	18187
FA 10.53W	FK 202-4/22	Non-explosion proof ONLY - Oil Filled Motor - Wet or Dry Pit	DN100	1740	20.00	379	18856
FA 10.53W	FK 202-4/27	Non-explosion proof ONLY - Oil Filled Motor - Wet or Dry Pit	DN100	1740	25.00	417	20838

FA 10.62 - Single Vane Impeller

FA 10.62E	T 17-4/12KEx	Air Filled Motor - Wet Pit Only	DN100	1740	7.40	185	11223
FA 10.62E	T 17-4/16KEx	Air Filled Motor - Wet Pit Only	DN100	1740	10.10	210	12016
FA 10.62E	FK 17.1-4/8KEx	Oil Filled Motor - Wet or Dry Pit	DN100	1740	6.20	260	11449
FA 10.62E	FK 17.1-4/12KEx	Oil Filled Motor - Wet or Dry Pit	DN100	1740	7.40	276	11735
FA 10.62E	FK 17.1-4/16KEx	Oil Filled Motor - Wet or Dry Pit	DN100	1740	10.20	309	13464

FA 10.65 - Single Vane Impeller

FA 10.65E	T 17-4/8KEx	Air Filled Motor - Wet Pit Only	DN100	1740	5.60	265	12956
FA 10.65E	T 17-4/12KEx	Air Filled Motor - Wet Pit Only	DN100	1740	7.40	282	13606
FA 10.65E	T 17-4/16KEx	Air Filled Motor - Wet Pit Only	DN100	1740	10.10	307	14399
FA 10.65E	T 17.2-4/24KEx	Air Filled Motor - Wet Pit Only	DN100	1740	15.40	371	17659
FA 10.65E	T 20.1-4/22KEx	Air Filled Motor - Wet Pit Only	DN100	1740	23.50	550	21624
FA 10.65E	T 20.1-4/30KEx	Air Filled Motor - Wet Pit Only	DN100	1740	31.50	571	23125
FA 10.65E	FK 17.1-4/8KEx	Oil Filled Motor - Wet or Dry Pit	DN100	1740	6.20	357	13832
FA 10.65E	FK 17.1-4/12KEx	Oil Filled Motor - Wet or Dry Pit	DN100	1740	7.40	373	14117
FA 10.65E	FK 17.1-4/16KEx	Oil Filled Motor - Wet or Dry Pit	DN100	1740	10.20	406	15847
FA 10.65E	HC 20.1-4/17KEx	Air Filled with Closed Loop Cooling System - Wet or Dry Pit	DN100	1740	15.40	549	23642
FA 10.65E	HC 20.1-4/22KEx	Air Filled with Closed Loop Cooling System - Wet or Dry Pit	DN100	1740	23.50	584	25065
FA 10.65E	HC 20.1-4/30KEx	Air Filled with Closed Loop Cooling System - Wet or Dry Pit	DN100	1740	31.50	620	25793
FA 10.65E	FK 202-4/12	Non-explosion proof ONLY - Oil Filled Motor - Wet or Dry Pit	DN100	1740	10.50	404	19836
FA 10.65E	FK 202-4/17	Non-explosion proof ONLY - Oil Filled Motor - Wet or Dry Pit	DN100	1740	15.40	432	20508
FA 10.65E	FK 202-4/22	Non-explosion proof ONLY - Oil Filled Motor - Wet or Dry Pit	DN100	1740	20.00	474	21339
FA 10.65E	FK 202-4/27	Non-explosion proof ONLY - Oil Filled Motor - Wet or Dry Pit	DN100	1740	25.00	512	23322

FA 10.68 - Vortex Impeller

FA 10.68W	T 24-4/21KEx	Air Filled Motor - Wet Pit Only	DN150L	1740	27.00	683	33903
FA 10.68W	T 24-4/29KEx	Air Filled Motor - Wet Pit Only	DN150L	1740	38.20	747	34619
FA 10.68W	T 24-4/36KEx	Air Filled Motor - Wet Pit Only	DN150L	1740	50.30	800	37121
FA 10.68W	T 30-4/29KEx	Air Filled Motor - Wet Pit Only	DN150L	1740	60.30	1157	48061
FA 10.68W	T 30-4/35KEx	Air Filled Motor - Wet Pit Only	DN150L	1740	73.70	1232	51486

4" Engineered Sewage Pumps



FA 10.68W	T 30-4/44KEx	Air Filled Motor - Wet Pit Only	DN150S	1740	91.10	1343	55348
FA 10.68W	T 30-4/55KEx	Air Filled Motor - Wet Pit Only	DN150S	1740	113.90	1477	59280
FA 10.68W	T 34-4/29KEx	Air Filled Motor - Wet Pit Only	DN150S	1740	88.00	1316	55906
FA 10.68W	T 34-4/32KEx	Air Filled Motor - Wet Pit Only	DN150S	1740	101.00	1411	56814
FA 10.68W	T 34-4/43KEx	Air Filled Motor - Wet Pit Only	DN150S	1740	127.30	1541	63265
FA 10.68W	FKT 27.1-4/22KEx	Air Filled with Closed Loop Cooling System - Wet or Dry Pit	DN150L	1740	41.00	1043	40266
FA 10.68W	FKT 27.1-4/28KEx	Air Filled with Closed Loop Cooling System - Wet or Dry Pit	DN150L	1740	57.00	1087	44590
FA 10.68W	FK 27.1-4/24	Non-explosion proof ONLY - Oil Filled Motor - Wet or Dry Pit	DN150L	1740	40.20	811	40808
FA 10.68W	FK 27.1-4/32	Non-explosion proof ONLY - Oil Filled Motor - Wet or Dry Pit	DN150L	1740	56.30	932	45443
FA 10.68W	FK 34.1-4/24	Non-explosion proof ONLY - Oil Filled Motor - Wet or Dry Pit	DN150S	1740	73.70	1539	65017
FA 10.68W	FK 34.1-4/29	Non-explosion proof ONLY - Oil Filled Motor - Wet or Dry Pit	DN150S	1740	87.10	1627	69558
FA 10.68W	FK 34.1-4/33	Non-explosion proof ONLY - Oil Filled Motor - Wet or Dry Pit	DN150S	1740	104.50	1697	72319
FA 10.68W	FK 34.1-4/42	Non-explosion proof ONLY - Oil Filled Motor - Wet or Dry Pit	DN150S	1740	127.30	1880	80882

FA 10.78 - Single Vane Impeller

FA 10.78Z	T 20.1-6/22KEx	Air Filled Motor - Wet Pit Only	DN150L	1140	14.70	747	25025
FA 10.78Z	T 20.1-6/32KEx	Air Filled Motor - Wet Pit Only	DN150L	1140	20.80	785	27826
FA 10.78Z	T 24-6/16KEx	Air Filled Motor - Wet Pit Only	DN150L	1140	16.10	785	30525
FA 10.78Z	T 24-6/22KEx	Air Filled Motor - Wet Pit Only	DN150L	1140	24.80	842	33664
FA 10.78Z	T 24-6/28KEx	Air Filled Motor - Wet Pit Only	DN150L	1140	33.50	891	34270
FA 10.78Z	HC 20.1-6/17KEx	Air Filled with Closed Loop Cooling System - Wet or Dry Pit	DN150L	1140	10.70	756	28799
FA 10.78Z	HC 20.1-6/22KEx	Air Filled with Closed Loop Cooling System - Wet or Dry Pit	DN150L	1140	14.70	791	28873
FA 10.78Z	HC 20.1-6/32KEx	Air Filled with Closed Loop Cooling System - Wet or Dry Pit	DN150L	1140	20.80	833	30436
FA 10.78Z	FKT 27.1-6/22KEx	Air Filled with Closed Loop Cooling System - Wet or Dry Pit	DN150L	1140	32.50	1193	40173
FA 10.78Z	FKT 27.1-6/28KEx	Air Filled with Closed Loop Cooling System - Wet or Dry Pit	DN150L	1140	38.50	1237	44378
FA 10.78Z	FK 202-6/12	Non-explosion proof ONLY - Oil Filled Motor - Wet or Dry Pit	DN100	1140	7.20	611	25164
FA 10.78Z	FK 202-6/17	Non-explosion proof ONLY - Oil Filled Motor - Wet or Dry Pit	DN100	1140	10.00	639	25992
FA 10.78Z	FK 202-6/22	Non-explosion proof ONLY - Oil Filled Motor - Wet or Dry Pit	DN150L	1140	14.10	681	27072
FA 10.78Z	FK 202-6/27	Non-explosion proof ONLY - Oil Filled Motor - Wet or Dry Pit	DN150L	1140	18.00	719	28930
FA 10.78Z	FK 27.1-6/24	Non-explosion proof ONLY - Oil Filled Motor - Wet or Dry Pit	DN150L	1140	30.80	961	40907
FA 10.78Z	T 20.1-4/22KEx	Air Filled Motor - Wet Pit Only	DN150L	1740	23.50	747	26349
FA 10.78Z	T 20.1-4/30KEx	Air Filled Motor - Wet Pit Only	DN150L	1740	31.50	743	27850
FA 10.78Z	T 24-4/21KEx	Air Filled Motor - Wet Pit Only	DN150L	1740	27.00	833	34002
FA 10.78Z	T 24-4/29KEx	Air Filled Motor - Wet Pit Only	DN150L	1740	38.20	862	34717
FA 10.78Z	T 24-4/36KEx	Air Filled Motor - Wet Pit Only	DN150L	1740	50.30	915	37219
FA 10.78Z	HC 20.1-4/17KEx	Air Filled with Closed Loop Cooling System - Wet or Dry Pit	DN150L	1740	15.40	756	28367
FA 10.78Z	HC 20.1-4/22KEx	Air Filled with Closed Loop Cooling System - Wet or Dry Pit	DN150L	1740	23.50	791	29790
FA 10.78Z	HC 20.1-4/30KEx	Air Filled with Closed Loop Cooling System - Wet or Dry Pit	DN150L	1740	31.50	792	30518
FA 10.78Z	FKT 27.1-4/22KEx	Air Filled with Closed Loop Cooling System - Wet or Dry Pit	DN150L	1740	41.00	1193	40365
FA 10.78Z	FKT 27.1-4/28KEx	Air Filled with Closed Loop Cooling System - Wet or Dry Pit	DN150L	1740	57.00	1237	44689
FA 10.78Z	FK 202-4/17	Non-explosion proof ONLY - Oil Filled Motor - Wet or Dry Pit	DN100	1740	15.40	639	25233
FA 10.78Z	FK 202-4/22	Non-explosion proof ONLY - Oil Filled Motor - Wet or Dry Pit	DN150L	1740	20.00	681	26064

4" Engineered Sewage Pumps



FA 10.78Z	FK 202-4/27	Non-explosion proof ONLY - Oil Filled Motor - Wet or Dry Pit	DN150L	1740	25.00	719	27830
FA 10.78Z	FK 27.1-4/24	Non-explosion proof ONLY - Oil Filled Motor - Wet or Dry Pit	DN150L	1740	40.20	926	40907
FA 10.78Z	FK 27.1-4/32	Non-explosion proof ONLY - Oil Filled Motor - Wet or Dry Pit	DN150L	1740	56.30	1047	45542

FA 10.82 - Single Vane Impeller

FA 10.82E	T 17-6/8KEx	Air Filled Motor - Wet Pit Only	DN100	1140	2.70	230	13724
FA 10.82E	T 17-6/12KEx	Air Filled Motor - Wet Pit Only	DN100	1140	4.05	238	13693
FA 10.82E	T 17-6/16KEx	Air Filled Motor - Wet Pit Only	DN100	1140	6.00	267	15087
FA 10.82E	T 17-6/24KEx	Air Filled Motor - Wet Pit Only	DN100	1140	9.00	331	16636
FA 10.82E	T 20.1-6/22KEx	Air Filled Motor - Wet Pit Only	DN100	1140	14.70	500	19992
FA 10.82E	T 20.1-6/32KEx	Air Filled Motor - Wet Pit Only	DN100	1140	20.80	534	22316
FA 10.82E	FK 17.1-6/8KEx	Oil Filled Motor - Wet or Dry Pit	DN100	1140	2.80	313	14613
FA 10.82E	FK 17.1-6/12KEx	Oil Filled Motor - Wet or Dry Pit	DN100	1140	4.70	329	15098
FA 10.82E	FK 17.1-6/16KEx	Oil Filled Motor - Wet or Dry Pit	DN100	1140	6.20	366	16148
FA 10.82E	HC 20.1-6/17KEx	Air Filled with Closed Loop Cooling System - Wet or Dry Pit	DN100	1140	10.70	509	23801
FA 10.82E	HC 20.1-6/22KEx	Air Filled with Closed Loop Cooling System - Wet or Dry Pit	DN100	1140	14.70	544	23759
FA 10.82E	HC 20.1-6/32KEx	Air Filled with Closed Loop Cooling System - Wet or Dry Pit	DN100	1140	20.80	582	25319
FA 10.82E	FK 202-6/12	Non-explosion proof ONLY - Oil Filled Motor - Wet or Dry Pit	DN100	1140	7.20	908	20047
FA 10.82E	FK 202-6/17	Non-explosion proof ONLY - Oil Filled Motor - Wet or Dry Pit	DN100	1140	10.00	1300	20874
FA 10.82E	FK 202-6/22	Non-explosion proof ONLY - Oil Filled Motor - Wet or Dry Pit	DN100	1140	14.10	434	21954
FA 10.82E	FK 202-6/27	Non-explosion proof ONLY - Oil Filled Motor - Wet or Dry Pit	DN100	1140	18.00	457	23812
FA 10.82E	T 17-4/8KEx	Air Filled Motor - Wet Pit Only	DN100	1740	5.60	230	12563
FA 10.82E	T 17-4/12KEx	Air Filled Motor - Wet Pit Only	DN100	1740	7.40	238	13213
FA 10.82E	T 17-4/16KEx	Air Filled Motor - Wet Pit Only	DN100	1740	10.10	263	14006
FA 10.82E	T 17.2-4/24KEx	Air Filled Motor - Wet Pit Only	DN100	1740	15.40	327	17266
FA 10.82E	T 20.1-4/22KEx	Air Filled Motor - Wet Pit Only	DN100	1740	23.50	496	21231
FA 10.82E	T 20.1-4/30KEx	Air Filled Motor - Wet Pit Only	DN100	1740	31.50	527	22733
FA 10.82E	FK 17.1-4/8KEx	Air Filled Motor - Wet Pit Only	DN100	1740	6.20	313	13439
FA 10.82E	FK 17.1-4/12KEx	Air Filled Motor - Wet Pit Only	DN100	1740	7.40	329	13725
FA 10.82E	FK 17.1-4/16KEx	Oil Filled Motor - Wet or Dry Pit	DN100	1740	10.20	360	15454
FA 10.82E	HC 20.1-4/17KEx	Air Filled with Closed Loop Cooling System - Wet or Dry Pit	DN100	1740	15.40	505	23249
FA 10.82E	HC 20.1-4/22KEx	Air Filled with Closed Loop Cooling System - Wet or Dry Pit	DN100	1740	23.50	540	24672
FA 10.82E	HC 20.1-4/30KEx	Air Filled with Closed Loop Cooling System - Wet or Dry Pit	DN100	1740	31.50	576	25401
FA 10.82E	FK 202-4/12	Non-explosion proof ONLY - Oil Filled Motor - Wet or Dry Pit	DN100	1740	10.50	360	19443
FA 10.82E	FK 202-4/17	Non-explosion proof ONLY - Oil Filled Motor - Wet or Dry Pit	DN100	1740	15.40	388	20278
FA 10.82E	FK 202-4/22	Non-explosion proof ONLY - Oil Filled Motor - Wet or Dry Pit	DN100	1740	20.00	430	20946
FA 10.82E	FK 202-4/27	Non-explosion proof ONLY - Oil Filled Motor - Wet or Dry Pit	DN100	1740	25.00	468	22929

FA 10.84 - Three Vane Impeller

FA 10.84D	T 17-6/8KEx	Air Filled Motor - Wet Pit Only	DN100	1140	2.70	218	15118
FA 10.84D	T 17-6/12KEx	Air Filled Motor - Wet Pit Only	DN100	1140	4.05	236	15638
FA 10.84D	T 17-6/16KEx	Air Filled Motor - Wet Pit Only	DN100	1140	6.00	260	16482
FA 10.84D	T 17.2-6/24KEx	Air Filled Motor - Wet Pit Only	DN100	1140	9.10	324	18618

4" Engineered Sewage Pumps



FA 10.84D	T 20.1-6/22KEx	Air Filled Motor - Wet Pit Only	DN100	1140	14.70	493	21386
FA 10.84D	T 20.1-6/32KEx	Air Filled Motor - Wet Pit Only	DN100	1140	20.80	531	24103
FA 10.84D	FK 17.1-6/8KEx	Oil Filled Motor - Wet or Dry Pit	DN100	1140	2.80	311	16007
FA 10.84D	FK 17.1-6/12KEx	Oil Filled Motor - Wet or Dry Pit	DN100	1140	4.70	326	16492
FA 10.84D	FK 17.1-6/16KEx	Oil Filled Motor - Wet or Dry Pit	DN100	1140	6.20	359	17542
FA 10.84D	HC 20.1-6/17KEx	Air Filled with Closed Loop Cooling System - Wet or Dry Pit	DN100	1140	10.70	502	25076
FA 10.84D	HC 20.1-6/22KEx	Air Filled with Closed Loop Cooling System - Wet or Dry Pit	DN100	1140	14.70	537	25150
FA 10.84D	HC 20.1-6/32KEx	Air Filled with Closed Loop Cooling System - Wet or Dry Pit	DN100	1140	20.80	579	26713
FA 10.84D	FK 202-6/12	Non-explosion proof ONLY - Oil Filled Motor - Wet or Dry Pit	DN100	1140	7.20	357	21441
FA 10.84D	FK 202-6/17	Non-explosion proof ONLY - Oil Filled Motor - Wet or Dry Pit	DN100	1140	10.00	385	22268
FA 10.84D	FK 202-6/22	Non-explosion proof ONLY - Oil Filled Motor - Wet or Dry Pit	DN100	1140	14.10	427	23349
FA 10.84D	FK 202-6/27	Non-explosion proof ONLY - Oil Filled Motor - Wet or Dry Pit	DN100	1140	18.10	465	25206
FA 10.84D	T 17-4/12KEx	Air Filled Motor - Wet Pit Only	DN100	1740	7.40	236	14608
FA 10.84D	T 17-4/16KEx	Air Filled Motor - Wet Pit Only	DN100	1740	10.10	268	15400
FA 10.84D	T 17.2-4/24KEx	Air Filled Motor - Wet Pit Only	DN100	1740	15.40	322	18661
FA 10.84D	T 20.1-4/22KEx	Air Filled Motor - Wet Pit Only	DN100	1740	23.50	491	22625
FA 10.84D	T 20.1-4/30KEx	Air Filled Motor - Wet Pit Only	DN100	1740	31.50	522	24127
FA 10.84D	HC 20.1-4/17KEx	Air Filled with Closed Loop Cooling System - Wet or Dry Pit	DN100	1740	15.40	500	24648
FA 10.84D	HC 20.1-4/22KEx	Air Filled with Closed Loop Cooling System - Wet or Dry Pit	Dn100	1740	23.50	535	26066
FA 10.84D	HC 20.1-4/30KEx	Air Filled with Closed Loop Cooling System - Wet or Dry Pit	DN100	1740	31.50	571	26795
FA 10.84D	FK 202-4/12	Non-explosion proof ONLY - Oil Filled Motor - Wet or Dry Pit	DN100	1740	10.50	357	20837
FA 10.84D	FK 202-4/17	Non-explosion proof ONLY - Oil Filled Motor - Wet or Dry Pit	DN100	1740	15.40	383	21672
FA 10.84D	FK 202-4/22	Non-explosion proof ONLY - Oil Filled Motor - Wet or Dry Pit	DN100	1740	20.00	425	22341
FA 10.84D	FK 202-4/27	Non-explosion proof ONLY - Oil Filled Motor - Wet or Dry Pit	DN100	1740	25.00	463	24323

FA 10.94 - Single Vane Impeller

FA 10.94E	T 17-6/8KEx	Air Filled Motor - Wet Pit Only	DN100	1140	2.70	271	15022
FA 10.94E	T 17-6/12KEx	Air Filled Motor - Wet Pit Only	DN100	1140	4.05	289	15542
FA 10.94E	T 17-6/16KEx	Air Filled Motor - Wet Pit Only	DN100	1140	6.00	313	16386
FA 10.94E	T 17.2-6/24KEx	Air Filled Motor - Wet Pit Only	DN100	1140	9.10	377	16422
FA 10.94E	T 20.1-6/22KEx	Air Filled Motor - Wet Pit Only	DN100	1140	14.70	546	21291
FA 10.94E	T 20.1-6/32KEx	Air Filled Motor - Wet Pit Only	DN100	1140	20.80	584	24007
FA 10.94E	FK 17.1-6/8KEx	Oil Filled Motor - Wet or Dry Pit	DN100	1140	2.80	364	15912
FA 10.94E	FK 17.1-6/12KEx	Oil Filled Motor - Wet or Dry Pit	DN100	1140	4.70	379	16397
FA 10.94E	FK 17.1-6/16KEx	Oil Filled Motor - Wet or Dry Pit	DN100	1140	6.20	412	17447
FA 10.94E	HC 20.1-6/17KEx	Air Filled with Closed Loop Cooling System - Wet or Dry Pit	DN100	1140	10.70	555	24981
FA 10.94E	HC 20.1-6/22KEx	Air Filled with Closed Loop Cooling System - Wet or Dry Pit	DN100	1140	14.70	590	25054
FA 10.94E	HC 20.1-6/32KEx	Air Filled with Closed Loop Cooling System - Wet or Dry Pit	DN100	1140	20.80	632	26618
FA 10.94E	FK 202-6/12	Non-explosion proof ONLY - Oil Filled Motor - Wet or Dry Pit	DN100	1140	7.20	410	21345
FA 10.94E	FK 202-6/17	Non-explosion proof ONLY - Oil Filled Motor - Wet or Dry Pit	DN100	1140	10.00	438	22173
FA 10.94E	FK 202-6/22	Non-explosion proof ONLY - Oil Filled Motor - Wet or Dry Pit	DN100	1140	14.10	480	23253
FA 10.94E	FK 202-6/27	Non-explosion proof ONLY - Oil Filled Motor - Wet or Dry Pit	DN100	1140	18.10	518	25110

4" Engineered Sewage Pumps



* If explosion proof rating is not required the following credit can be applied:

<u>Motor:</u>	<u>Credit:</u>
T 17; T 17.2; FK 17.1	\$607.00
T 20.1	\$763.00
FKT 27.1	\$1,959.00
T 24; HC 20.1;	\$1,298.00
T 30	\$2,457.00
T 34	\$2,696.00

6" Engineered Sewage Pumps



Pump and Motor

All pumps shall be equipped with 33' Power and Control Cable

Model	Motor Design	Description	Susp Device	Speed	HP	Approx Wt. (lbs.)	List Price (\$)
FA 15.20 - Two Vane Impeller							
FA 15.20Z	T 17-6/8KEx	Air Filled Motor - Wet Pit Only	DN150L	1140	2.70	282	15152
FA 15.20Z	T 17-6/12KEx	Air Filled Motor - Wet Pit Only	DN150L	1140	4.05	300	15671
FA 15.20Z	T 17-6/16KEx	Air Filled Motor - Wet Pit Only	DN150L	1140	6.00	324	16515
FA 15.20Z	FK 17.1-6/8KEx	Oil Filled Motor - Wet or Dry Pit	DN150L	1140	2.80	375	16041
FA 15.20Z	FK 17.1-6/12KEx	Oil Filled Motor - Wet or Dry Pit	DN150L	1140	4.70	390	16526
FA 15.20Z	FK 17.1-6/16KEx	Oil Filled Motor - Wet or Dry Pit	DN150L	1140	6.20	423	17576

FA 15.21 - Vortex Impeller							
FA15.21W	T 17-6/8KEx	Air Filled Motor - Wet Pit Only	DN150L	1140	2.70	251	13483
FA15.21W	T 17-6/12KEx	Air Filled Motor - Wet Pit Only	DN150L	1140	4.05	269	14003
FA15.21W	T 17-6/16KEx	Air Filled Motor - Wet Pit Only	DN150L	1140	6.00	293	14847
FA15.21W	T 17-6/24KEx	Air Filled Motor - Wet Pit Only	DN150L	1140	9.10	357	16396
FA15.21W	T 20.1-6/22KEx	Air Filled Motor - Wet Pit Only	DN150L	1140	14.70	527	19752
FA15.21W	T 20.1-6/32KEx	Air Filled Motor - Wet Pit Only	DN150L	1140	20.80	564	22075
FA15.21W	FK 17.1-6/8KEx	Oil Filled Motor - Wet or Dry Pit	DN150L	1140	2.80	344	14372
FA15.21W	FK 17.1-6/12KEx	Oil Filled Motor - Wet or Dry Pit	DN150L	1140	4.70	359	15144
FA15.21W	FK 17.1-6/16KEx	Oil Filled Motor - Wet or Dry Pit	DN150L	1140	6.20	392	15908
FA15.21W	HC 20.1-6/17KEx	Air Filled with Closed Loop Cooling System - Wet or Dry Pit	DN150L	1140	10.70	536	23441
FA15.21W	HC 20.1-6/22KEx	Air Filled with Closed Loop Cooling System - Wet or Dry Pit	DN150L	1140	14.70	571	23515
FA15.21W	HC 20.1-6/32KEx	Air Filled with Closed Loop Cooling System - Wet or Dry Pit	DN150L	1140	20.80	613	24686
FA15.21W	FK 202-6/12	Non-explosion proof ONLY - Oil Filled Motor - Wet or Dry Pit	DN150L	1140	7.20	390	19806
FA15.21W	FK 202-6/17	Non-explosion proof ONLY - Oil Filled Motor - Wet or Dry Pit	DN150L	1140	10.00	419	20634
FA15.21W	FK 202-6/22	Non-explosion proof ONLY - Oil Filled Motor - Wet or Dry Pit	DN150L	1140	14.10	461	21714
FA15.21W	FK 202-6/27	Non-explosion proof ONLY - Oil Filled Motor - Wet or Dry Pit	DN150L	1140	18.00	492	23571

6" Engineered Sewage Pumps



FA 15.44 - Vortex Impeller							
FA 15.44W	T 17-6/24KEx	Air Filled Motor - Wet Pit Only	DN150L	1140	9.10	410	17678
FA 15.44W	T 20.1-6/22KEx	Air Filled Motor - Wet Pit Only	DN150L	1140	14.70	580	21034
FA 15.44W	T 20.1-6/32KEx	Air Filled Motor - Wet Pit Only	DN150L	1140	20.80	617	23357
FA 15.44W	T 24-6/16KEx	Air Filled Motor - Wet Pit Only	DN150L	1140	16.10	617	26448
FA 15.44W	T 24-6/22KEx	Air Filled Motor - Wet Pit Only	DN150L	1140	24.80	675	29567
FA 15.44W	T 24-6/28KEx	Air Filled Motor - Wet Pit Only	DN150L	1140	33.50	723	30194
FA 15.44W	FKT 27.1-6/22KEx	Air Filled with Closed Loop Cooling System - Wet or Dry Pit	DN150L	1140	32.50	1025	36097
FA 15.44W	FKT 27.1-6/28KEx	Air Filled with Closed Loop Cooling System - Wet or Dry Pit	DN150L	1140	38.50	1069	40302
FA 15.44W	FK 27.1-6/24	Non-explosion proof ONLY - Oil Filled Motor - Wet or Dry Pit	DN150L	1140	30.80	794	36831
FA 15.44W	FK 27.1-6/32	Non-explosion proof ONLY - Oil Filled Motor - Wet or Dry Pit	DN150L	1140	37.00	915	40844
FA 15.44W	HC 20.1-6/17KEx	Air Filled with Closed Loop Cooling System - Wet or Dry Pit	DN150L	1140	10.70	589	24723
FA 15.44W	HC 20.1-6/22KEx	Air Filled with Closed Loop Cooling System - Wet or Dry Pit	DN150L	1140	14.70	624	24797
FA 15.44W	HC 20.1-6/32KEx	Air Filled with Closed Loop Cooling System - Wet or Dry Pit	DN150L	1140	20.80	666	25968
FA 15.44W	FK 202-6/12	Non-explosion proof ONLY - Oil Filled Motor - Wet or Dry Pit	DN150L	1140	7.20	443	21298
FA 15.44W	FK 202-6/17	Non-explosion proof ONLY - Oil Filled Motor - Wet or Dry Pit	DN150L	1140	10.00	472	21916
FA 15.44W	FK 202-6/22	Non-explosion proof ONLY - Oil Filled Motor - Wet or Dry Pit	DN150L	1140	14.10	514	22996
FA 15.44W	FK 202-6/27	Non-explosion proof ONLY - Oil Filled Motor - Wet or Dry Pit	DN150L	1140	18.00	551	24854
FA 15.44W	T 20.1-4/22KEx	Air Filled Motor - Wet Pit Only	DN150L	1740	23.50	580	22273
FA 15.44W	T 20.1-4/30KEx	Air Filled Motor - Wet Pit Only	DN150L	1740	31.50	612	23774
FA 15.44W	T 24-4/21KEx	Air Filled Motor - Wet Pit Only	DN150L	1740	27.00	666	29926
FA 15.44W	T 24-4/29KEx	Air Filled Motor - Wet Pit Only	DN150L	1740	38.20	723	30641
FA 15.44W	T 24-4/36KEx	Air Filled Motor - Wet Pit Only	DN150L	1740	50.30	783	33143
FA 15.44W	FKT 27.1-4/22KEx	Air Filled with Closed Loop Cooling System - Wet or Dry Pit	DN150L	1740	41.00	1025	36289
FA 15.44W	FKT 27.1-4/28KEx	Air Filled with Closed Loop Cooling System - Wet or Dry Pit	DN150L	1740	57.00	1069	40613
FA 15.44W	FK 27.1-4/24	Non-explosion proof ONLY - Oil Filled Motor - Wet or Dry Pit	DN150L	1740	40.20	794	36831
FA 15.44W	FK 27.1-4/32	Non-explosion proof ONLY - Oil Filled Motor - Wet or Dry Pit	DN150L	1740	56.30	915	41466
FA 15.44W	HC 20.1-4/22KEx	Air Filled with Closed Loop Cooling System - Wet or Dry Pit	DN150L	1740	23.50	624	25713
FA 15.44W	HC 20.1-4/30KEx	Air Filled with Closed Loop Cooling System - Wet or Dry Pit	DN150L	1740	32.00	659	26442
FA 15.44W	FK 202-4/22	Non-explosion proof ONLY - Oil Filled Motor - Wet or Dry Pit	DN150L	1740	20.00	514	21988
FA 15.44W	FK 202-4/27	Non-explosion proof ONLY - Oil Filled Motor - Wet or Dry Pit	DN150L	1740	25.00	551	23970

FA 15.52 - Single Vane Impeller							
FA 15.52E	T 17-6/8KEx	Air Filled Motor - Wet Pit Only	DN150L	1140	2.70	277	15029
FA 15.52E	T 17-6/12KEx	Air Filled Motor - Wet Pit Only	DN150L	1140	4.05	293	15548
FA 15.52E	T 17-6/16KEx	Air Filled Motor - Wet Pit Only	DN150L	1140	6.00	318	16393
FA 15.52E	T 17.2-6/24KEx	Air Filled Motor - Wet Pit Only	DN150L	1140	9.10	381	18528
FA 15.52E	T 20.1-6/22KEx	Air Filled Motor - Wet Pit Only	DN150L	1140	14.70	551	21297
FA 15.52E	T 20.1-6/32KEx	Air Filled Motor - Wet Pit Only	DN150L	1140	20.80	589	23621
FA 15.52E	FK 17.1-6/8KEx	Oil Filled Motor - Wet or Dry Pit	DN150L	1140	2.80	368	15918
FA 15.52E	FK 17.1-6/12KEx	Oil Filled Motor - Wet or Dry Pit	DN150L	1140	4.70	384	16403

6" Engineered Sewage Pumps



FA 15.52E	FK 17.1-6/16KEx	Oil Filled Motor - Wet or Dry Pit	DN150L	1140	6.20	417	17453
FA 15.52E	HC 20.1-6/17KEx	Air Filled with Closed Loop Cooling System - Wet or Dry Pit	DN150L	1140	10.70	560	24987
FA 15.52E	HC 20.1-6/22KEx	Air Filled with Closed Loop Cooling System - Wet or Dry Pit	DN150L	1140	14.70	595	25060
FA 15.52E	HC 20.1-6/32KEx	Air Filled with Closed Loop Cooling System - Wet or Dry Pit	DN150L	1140	20.80	637	26231
FA 15.52E	FK 202-6/12	Non-explosion proof ONLY - Oil Filled Motor - Wet or Dry Pit	DN150L	1140	7.20	415	21352
FA 15.52E	FK 202-6/17	Non-explosion proof ONLY - Oil Filled Motor - Wet or Dry Pit	DN150L	1140	10.00	443	22179
FA 15.52E	FK 202-6/22	Non-explosion proof ONLY - Oil Filled Motor - Wet or Dry Pit	DN150L	1140	14.10	485	23260
FA 15.52E	FK 202-6/27	Non-explosion proof ONLY - Oil Filled Motor - Wet or Dry Pit	DN150L	1140	18.00	523	25117
FA 15.52E	T 17-4/16KEx	Air Filled Motor - Wet Pit Only	DN150L	1740	10.10	318	15082
FA 15.52E	T 17.2-4/24KEx	Air Filled Motor - Wet Pit Only	DN150L	1740	15.40	381	16985
FA 15.52E	T 20.1-4/22KEx	Air Filled Motor - Wet Pit Only	DN150L	1740	23.50	551	22536
FA 15.52E	T 20.1-4/30KEx	Air Filled Motor - Wet Pit Only	DN150L	1740	31.50	582	24038
FA 15.52E	FK 17.1-4/16KEx	Oil Filled Motor - Wet or Dry Pit	DN150L	1740	10.20	417	16759
FA 15.52E	HC 20.1-4/17KEx	Air Filled with Closed Loop Cooling System - Wet or Dry Pit	DN150L	1740	15.40	560	24554
FA 15.52E	HC 20.1-4/22KEx	Air Filled with Closed Loop Cooling System - Wet or Dry Pit	DN150L	1740	23.50	595	25977
FA 15.52E	HC 20.1-4/30Ex	Air Filled with Closed Loop Cooling System - Wet or Dry Pit	DN150L	1740	31.50	631	26610
FA 15.52E	FK 202-4/12	Non-explosion proof ONLY - Oil Filled Motor - Wet or Dry Pit	DN150L	1740	10.50	415	20696
FA 15.52E	FK 202-4/17	Non-explosion proof ONLY - Oil Filled Motor - Wet or Dry Pit	DN150L	1740	15.40	443	21583
FA 15.52E	FK 202-4/22	Non-explosion proof ONLY - Oil Filled Motor - Wet or Dry Pit	DN150L	1740	20.00	485	22252
FA 15.52E	FK 202-4/27	Non-explosion proof ONLY - Oil Filled Motor - Wet or Dry Pit	DN150L	1740	25.00	523	24234

FA 15.66 - Single Vane Impeller

FA 15.66E	T 17.2-6/24KEx	Air Filled Motor - Wet Pit Only	DN150L	1140	9.10	523	24553
FA 15.66E	T 20.1-6/22KEx	Air Filled Motor - Wet Pit Only	DN150L	1140	14.70	692	27322
FA 15.66E	T 20.1-6/32KEx	Air Filled Motor - Wet Pit Only	DN150L	1140	20.80	730	29646
FA 15.66E	T 24-6/16KEx	Air Filled Motor - Wet Pit Only	DN150L	1140	16.10	730	32737
FA 15.66E	T 24-6/22KEx	Air Filled Motor - Wet Pit Only	DN150L	1140	24.80	787	35876
FA 15.66E	T 24-6/28KEx	Air Filled Motor - Wet Pit Only	DN150L	1140	33.50	836	36482
FA 15.66E	FKT 27.1-6/22KEx	Air Filled with Closed Loop Cooling System - Wet or Dry Pit	DN150L	1140	32.50	1138	42385
FA 15.66E	FKT 27.1-6/28KEx	Air Filled with Closed Loop Cooling System - Wet or Dry Pit	DN150L	1140	38.50	1182	46591
FA 15.66E	FK 27.1-6/24	Non-explosion proof ONLY - Oil Filled Motor - Wet or Dry Pit	DN150L	1140	30.80	906	43119
FA 15.66E	FK 27.1-6/32	Non-explosion proof ONLY - Oil Filled Motor - Wet or Dry Pit	DN150L	1140	37.00	1027	47132
FA 15.66E	HC 20.1-6/17KEx	Air Filled with Closed Loop Cooling System - Wet or Dry Pit	DN150L	1140	10.70	701	31012
FA 15.66E	HC 20.1-6/22KEx	Air Filled with Closed Loop Cooling System - Wet or Dry Pit	DN150L	1140	14.70	736	31085
FA 15.66E	HC 20.1-6/32KEx	Air Filled with Closed Loop Cooling System - Wet or Dry Pit	DN150L	1140	20.80	778	32256
FA 15.66E	FK 202-6/12	Non-explosion proof ONLY - Oil Filled Motor - Wet or Dry Pit	DN150L	1140	7.20	556	27377
FA 15.66E	FK 202-6/17	Non-explosion proof ONLY - Oil Filled Motor - Wet or Dry Pit	DN150L	1140	10.00	584	28204
FA 15.66E	FK 202-6/22	Non-explosion proof ONLY - Oil Filled Motor - Wet or Dry Pit	DN150L	1140	14.10	626	29285
FA 15.66E	FK 202-6/27	Non-explosion proof ONLY - Oil Filled Motor - Wet or Dry Pit	DN150L	1140	18.00	664	31142
FA 15.66E	T 17.2-4/24KEx	Air Filled Motor - Wet Pit Only	DN150L	1740	15.40	523	24596
FA 15.66E	T 20.1-4/22KEx	Air Filled Motor - Wet Pit Only	DN150L	1740	23.50	692	28561

6" Engineered Sewage Pumps



FA 15.66E	T 20.1-4/30KEx	Air Filled Motor - Wet Pit Only	DN150L	1740	31.50	723	30063
FA 15.66E	T 24-4/21KEx	Air Filled Motor - Wet Pit Only	DN150L	1740	27.00	778	36215
FA 15.66E	T 24-4/29KEx	Air Filled Motor - Wet Pit Only	DN150L	1740	38.20	836	36930
FA 15.66E	T 24-4/36KEx	Air Filled Motor - Wet Pit Only	DN150L	1740	50.30	895	39432
FA 15.66E	FKT 27.1-4/22KEx	Air Filled with Closed Loop Cooling System - Wet or Dry Pit	DN150L	1740	41.00	1138	42578
FA 15.66E	FKT 27.1-4/28KEx	Air Filled with Closed Loop Cooling System - Wet or Dry Pit	DN150L	1740	57.00	1182	46901
FA 15.66E	FK 27.1-4/24	Non-explosion proof ONLY - Oil Filled Motor - Wet or Dry Pit	DN150L	1740	40.20	906	43119
FA 15.66E	FK 27.1-4/32	Non-explosion proof ONLY - Oil Filled Motor - Wet or Dry Pit	DN150L	1740	56.30	1027	47754
FA 15.66E	HC 20.1-4/17KEx	Air Filled with Closed Loop Cooling System - Wet or Dry Pit	DN150L	1740	15.40	701	30579
FA 15.66E	HC 20.1-4/22KEx	Air Filled with Closed Loop Cooling System - Wet or Dry Pit	DN150L	1740	23.50	736	32002
FA 15.66E	HC 20.1-4/30KEx	Air Filled with Closed Loop Cooling System - Wet or Dry Pit	DN150L	1740	32.00	772	32731
FA 15.66E	FK 202-4/17	Non-explosion proof ONLY - Oil Filled Motor - Wet or Dry Pit	DN150L	1740	15.40	584	27608
FA 15.66E	FK 202-4/22	Non-explosion proof ONLY - Oil Filled Motor - Wet or Dry Pit	DN150L	1740	20.00	626	28277
FA 15.66E	FK 202-4/27	Non-explosion proof ONLY - Oil Filled Motor - Wet or Dry Pit	DN150L	1740	25.00	664	30259

FA 15.77 - Two Vane Impeller

FA 15.77Z	T 24-6/16KEx	Air Filled Motor - Wet Pit Only	DN150L	1140	16.10	818	35921
FA 15.77Z	T 24-6/22KEx	Air Filled Motor - Wet Pit Only	DN150L	1140	24.80	675	39060
FA 15.77Z	T 24-6/28KEx	Air Filled Motor - Wet Pit Only	DN150L	1140	33.50	924	39666
FA 15.77Z	T 30-6/28KEx	Air Filled Motor - Wet Pit Only	DN150S	1140	44.30	1327	54565
FA 15.77Z	T 30-6/35KEx	Air Filled Motor - Wet Pit Only	DN150S	1140	54.00	1415	57955
FA 15.77Z	T 30-6/41KEx	Air Filled Motor - Wet Pit Only	DN150S	1140	65.00	1448	61768
FA 15.77Z	T 30-6/48KEx	Air Filled Motor - Wet Pit Only	DN150S	1140	76.00	1581	63179
FA 15.77Z	T 34-6/29KEx	Air Filled Motor - Wet Pit Only	DN150S	1140	68.00	1499	60601
FA 15.77Z	T 34-6/32KEx	Air Filled Motor - Wet Pit Only	DN150S	1140	81.00	1594	63720
FA 15.77Z	T 34-6/41KEx	Air Filled Motor - Wet Pit Only	DN150S	1140	101.00	1691	66944
FA 15.77Z	T 34-6/50KEx	Air Filled Motor - Wet Pit Only	DN150S	1140	111.00	1836	72834
FA 15.77Z	FKT 27.1-6/22KEx	Air Filled with Closed Loop Cooling System - Wet or Dry Pit	DN150L	1140	32.50	1226	45569
FA 15.77Z	FKT 27.1-6/28KEx	Air Filled with Closed Loop Cooling System - Wet or Dry Pit	DN150S	1140	38.50	1270	49774
FA 15.77Z	FK 27.1-6/24	Non-explosion proof ONLY - Oil Filled Motor - Wet or Dry Pit	DN150L	1140	30.80	994	46303
FA 15.77Z	FK 27.1-6/32	Non-explosion proof ONLY - Oil Filled Motor - Wet or Dry Pit	DN150L	1140	37.00	1116	50318
FA 15.77Z	FK 34.1-6/24	Non-explosion proof ONLY - Oil Filled Motor - Wet or Dry Pit	DN150S	1140	54.00	701	69722
FA 15.77Z	FK 34.1-6/29	Non-explosion proof ONLY - Oil Filled Motor - Wet or Dry Pit	DN150S	1140	68.00	1810	73868
FA 15.77Z	FK 34.1-6/33	Non-explosion proof ONLY - Oil Filled Motor - Wet or Dry Pit	DN150S	1140	81.00	1881	76628
FA 15.77Z	FK 34.1-6/42	Non-explosion proof ONLY - Oil Filled Motor - Wet or Dry Pit	DN150S	1140	94.00	1986	81948
FA 15.77Z	FK 34.1-6/50	Non-explosion proof ONLY - Oil Filled Motor - Wet or Dry Pit	DN150S	1140	108.00	2130	88959
FA 15.77Z	FK 34.1-6/60	Non-explosion proof ONLY - Oil Filled Motor - Wet or Dry Pit	DN150S	1140	135.00	2306	95877
FA 15.77Z	T 30-4/29KEx	Air Filled Motor - Wet Pit Only	DN150S	1740	60.30	1340	53555
FA 15.77Z	T 30-4/35KEx	Air Filled Motor - Wet Pit Only	DN150S	1740	73.70	1415	56980
FA 15.77Z	T 30-4/44KEx	Air Filled Motor - Wet Pit Only	DN150S	1740	91.10	1526	60842
FA 15.77Z	T 30-4/55KEx	Air Filled Motor - Wet Pit Only	DN150S	1740	113.90	1660	64775

6" Engineered Sewage Pumps



FA 15.77Z	T 34-4/29KEx	Air Filled Motor - Wet Pit Only	DN150S	1740	88.00	1499	61401
FA 15.77Z	T 34-4/32KEx	Air Filled Motor - Wet Pit Only	DN150S	1740	101.00	1594	62309
FA 15.77Z	T 34-4/43KEx	Air Filled Motor - Wet Pit Only	DN150S	1740	127.30	1724	68759
FA 15.77Z	FKT 27.1-4/28KEx	Air Filled with Closed Loop Cooling System - Wet or Dry Pit	DN150S	1740	57.00	1270	50085
FA 15.77Z	FK 27.1-4/32	Non-explosion proof ONLY - Oil Filled Motor - Wet or Dry Pit	DN150L	1740	56.30	1116	50938
FA 15.77Z	FK 34.1-4/24	Non-explosion proof ONLY - Oil Filled Motor - Wet or Dry Pit	DN150S	1740	73.70	1722	70512
FA 15.77Z	FK 34.1-4/29	Non-explosion proof ONLY - Oil Filled Motor - Wet or Dry Pit	DN150S	1740	87.10	1810	75053
FA 15.77Z	FK 34.1-4/33	Non-explosion proof ONLY - Oil Filled Motor - Wet or Dry Pit	DN150S	1740	104.50	1881	77813
FA 15.77Z	FK 34.1-4/42	Non-explosion proof ONLY - Oil Filled Motor - Wet or Dry Pit	DN150S	1740	127.30	1983	86376

FA 15.84 - Three Vane Impeller							
FA 15.84D	T 17-6/12KEx	Air Filled Motor - Wet Pit Only	DN150L	1140	4.05	293	17281
FA 15.84D	T 17-6/16KEx	Air Filled Motor - Wet Pit Only	DN150L	1140	6.00	318	17575
FA 15.84D	T 17.2-6/24KEx	Air Filled Motor - Wet Pit Only	DN150L	1140	9.10	381	20261
FA 15.84D	T 20.1-6/22KEx	Air Filled Motor - Wet Pit Only	DN150L	1140	14.70	551	23030
FA 15.84D	T 20.1-6/32KEx	Air Filled Motor - Wet Pit Only	DN150L	1140	20.80	589	25353
FA 15.84D	FK 17.1-6/8KEx	Oil Filled Motor - Wet or Dry Pit	DN150L	1140	2.80	368	17651
FA 15.84D	FK 17.1-6/12KEx	Oil Filled Motor - Wet or Dry Pit	DN150L	1140	4.70	384	18136
FA 15.84D	FK 17.1-6/16KEx	Oil Filled Motor - Wet or Dry Pit	DN150L	1140	6.20	417	19186
FA 15.84D	HC 20.1-6/17KEx	Air Filled with Closed Loop Cooling System - Wet or Dry Pit	DN150L	1140	10.70	560	26719
FA 15.84D	HC 20.1-6/22KEx	Air Filled with Closed Loop Cooling System - Wet or Dry Pit	DN150L	1140	14.70	595	26793
FA 15.84D	HC 20.1-6/32KEx	Air Filled with Closed Loop Cooling System - Wet or Dry Pit	DN150L	1140	20.80	637	27964
FA 15.84D	FK 202-6/12	Non-explosion proof ONLY - Oil Filled Motor - Wet or Dry Pit	DN150L	1140	7.20	415	23084
FA 15.84D	FK 202-6/17	Non-explosion proof ONLY - Oil Filled Motor - Wet or Dry Pit	DN150L	1140	10.00	443	23912
FA 15.84D	FK 202-6/22	Non-explosion proof ONLY - Oil Filled Motor - Wet or Dry Pit	DN150L	1140	14.10	485	24992
FA 15.84D	FK 202-6/27	Non-explosion proof ONLY - Oil Filled Motor - Wet or Dry Pit	DN150L	1140	18.00	523	26871
FA 15.84D	T 17-4/16KEx	Air Filled Motor - Wet Pit Only	DN150L	1740	10.10	318	16815
FA 15.84D	T 17.2-4/24KEx	Air Filled Motor - Wet Pit Only	DN150L	1740	15.40	381	20304
FA 15.84D	T 20.1-4/22KEx	Air Filled Motor - Wet Pit Only	DN150L	1740	23.50	551	24269
FA 15.84D	T 20.1-4/30KEx	Air Filled Motor - Wet Pit Only	DN150L	1740	31.50	582	25770
FA 15.84D	FK 17.1-4/16KEx	Oil Filled Motor - Wet or Dry Pit	DN150L	1740	10.20	417	18492
FA 15.84D	HC 20.1-4/17KEx	Air Filled with Closed Loop Cooling System - Wet or Dry Pit	DN150L	1740	15.40	560	26287
FA 15.84D	HC 20.1-4/22KEx	Air Filled with Closed Loop Cooling System - Wet or Dry Pit	DN150L	1740	23.50	595	27710
FA 15.84D	HC 20.1-4/30Ex	Air Filled with Closed Loop Cooling System - Wet or Dry Pit	DN150L	1740	31.50	631	28438
FA 15.84D	FK 202-4/12	Non-explosion proof ONLY - Oil Filled Motor - Wet or Dry Pit	DN150L	1740	10.50	415	22481
FA 15.84D	FK 202-4/17	Non-explosion proof ONLY - Oil Filled Motor - Wet or Dry Pit	DN150L	1740	15.40	443	23315
FA 15.84D	FK 202-4/22	Non-explosion proof ONLY - Oil Filled Motor - Wet or Dry Pit	DN150L	1740	20.00	485	23984
FA 15.84D	FK 202-4/27	Non-explosion proof ONLY - Oil Filled Motor - Wet or Dry Pit	DN150L	1740	25.00	523	25967

6" Engineered Sewage Pumps



FA 15.93 - Single Vane Impeller							
FA 15.93E	T 20.1-6/22KEx	Air Filled Motor - Wet Pit Only	DN150L	1140	14.70	595	25831
FA 15.93E	T 20.1-6/32KEx	Air Filled Motor - Wet Pit Only	DN150L	1140	20.80	633	28155
FA 15.93E	T 24-6/16KEx	Air Filled Motor - Wet Pit Only	DN150L	1140	16.10	633	31246
FA 15.93E	T 24-6/22KEx	Air Filled Motor - Wet Pit Only	DN150L	1140	24.80	690	34385
FA 15.93E	T 24-6/28KEx	Air Filled Motor - Wet Pit Only	DN150L	1140	33.50	739	34991
FA 15.93E	HC 20.1-6/17KEx	Air Filled with Closed Loop Cooling System - Wet or Dry Pit	DN150L	1140	10.70	604	29521
FA 15.93E	HC 20.1-6/22KEx	Air Filled with Closed Loop Cooling System - Wet or Dry Pit	DN150L	1140	14.70	639	29594
FA 15.93E	HC 20.1-6/32KEx	Air Filled with Closed Loop Cooling System - Wet or Dry Pit	DN150L	1140	20.80	681	30765
FA 15.93E	FK 202-6/12	Non-explosion proof ONLY - Oil Filled Motor - Wet or Dry Pit	DN150L	1140	7.20	459	25886
FA 15.93E	FK 202-6/17	Non-explosion proof ONLY - Oil Filled Motor - Wet or Dry Pit	DN150L	1140	10.00	487	26713
FA 15.93E	FK 202-6/22	Non-explosion proof ONLY - Oil Filled Motor - Wet or Dry Pit	DN150L	1140	14.10	529	27794
FA 15.93E	FK 202-6/27	Non-explosion proof ONLY - Oil Filled Motor - Wet or Dry Pit	DN150L	1140	18.00	567	29651
FA 15.93E	FKT 27.1-6/22KEx	Air Filled with Closed Loop Cooling System - Wet or Dry Pit	DN150L	1140	32.50	1041	40894
FA 15.93E	FKT 27.1-6/28KEx	Air Filled with Closed Loop Cooling System - Wet or Dry Pit	DN150L	1140	38.50	1085	45100
FA 15.93E	FK 27.1-6/24	Non-explosion proof ONLY - Oil Filled Motor - Wet or Dry Pit	DN150L	1140	30.80	809	41628
FA 15.93E	FK 27.1-6/32	Non-explosion proof ONLY - Oil Filled Motor - Wet or Dry Pit	DN150L	1140	37.00	930	45641

FA 15.95 - Single Vane Impeller							
FA 15.95E	T 17.2-6/24KEx	Air Filled Motor - Wet Pit Only	DN150L	1140	9.10	556	23542
FA 15.95E	T 20.1-6/22KEx	Air Filled Motor - Wet Pit Only	DN150L	1140	14.70	725	26311
FA 15.95E	T 20.1-6/32KEx	Air Filled Motor - Wet Pit Only	DN150L	1140	20.80	763	28635
FA 15.95E	T 24-6/16KEx	Air Filled Motor - Wet Pit Only	DN150L	1140	16.10	763	31726
FA 15.95E	T 24-6/22KEx	Air Filled Motor - Wet Pit Only	DN150L	1140	24.80	820	34865
FA 15.95E	T 24-6/28KEx	Air Filled Motor - Wet Pit Only	DN150L	1140	33.50	869	35471
FA 15.95E	HC 20.1-6/17KEx	Air Filled with Closed Loop Cooling System - Wet or Dry Pit	DN150L	1140	10.70	734	30001
FA 15.95E	HC 20.1-6/22KEx	Air Filled with Closed Loop Cooling System - Wet or Dry Pit	DN150L	1140	14.70	769	30074
FA 15.95E	HC 20.1-6/32KEx	Air Filled with Closed Loop Cooling System - Wet or Dry Pit	DN150L	1140	20.80	811	31245
FA 15.95E	FKT 27.1-6/22KEx	Air Filled with Closed Loop Cooling System - Wet or Dry Pit	DN150L	1140	32.50	1171	41374
FA 15.95E	FKT 27.1-6/28KEx	Air Filled with Closed Loop Cooling System - Wet or Dry Pit	DN150L	1140	38.50	1215	45579
FA 15.95E	FK 202-6/12	Non-explosion proof ONLY - Oil Filled Motor - Wet or Dry Pit	DN150L	1140	7.20	589	26366
FA 15.95E	FK 202-6/17	Non-explosion proof ONLY - Oil Filled Motor - Wet or Dry Pit	DN150L	1140	10.00	617	27193
FA 15.95E	FK 202-6/22	Non-explosion proof ONLY - Oil Filled Motor - Wet or Dry Pit	DN150L	1140	14.10	659	28273
FA 15.95E	FK 202-6/27	Non-explosion proof ONLY - Oil Filled Motor - Wet or Dry Pit	DN150L	1140	18.00	697	30131
FA 15.95E	FK 27.1-6/24	Non-explosion proof ONLY - Oil Filled Motor - Wet or Dry Pit	DN150L	1140	30.80	939	42108
FA 15.95E	FK 27.1-6/32	Non-explosion proof ONLY - Oil Filled Motor - Wet or Dry Pit	DN150L	1140	37.00	1060	46121
FA 15.95E	T 20.1-4/22KEx	Air Filled Motor - Wet Pit Only	DN150L	1740	23.50	725	27550
FA 15.95E	T 20.1-4/30KEx	Air Filled Motor - Wet Pit Only	DN150L	1740	31.50	756	29051
FA 15.95E	T 24-4/21KEx	Air Filled Motor - Wet Pit Only	DN150L	1740	27.00	811	35423
FA 15.95E	T 24-4/29KEx	Air Filled Motor - Wet Pit Only	DN150L	1740	38.20	869	35918
FA 15.95E	T 24-4/36KEx	Air Filled Motor - Wet Pit Only	DN150L	1740	50.30	928	38421
FA 15.95E	HC 20.1-4/22KEx	Air Filled with Closed Loop Cooling System - Wet or Dry Pit	DN150L	1740	23.50	769	30991

6" Engineered Sewage Pumps



FA 15.95E	HC 20.1-4/30KEx	Air Filled with Closed Loop Cooling System - Wet or Dry Pit	DN150L	1740	31.50	805	31719
FA 15.95E	FKT 27.1-4/22KEx	Air Filled with Closed Loop Cooling System - Wet or Dry Pit	DN150L	1740	41.00	1171	41566
FA 15.95E	FKT 27.1-4/28KEx	Air Filled with Closed Loop Cooling System - Wet or Dry Pit	DN150L	1740	57.00	1215	45890
FA 15.95E	FK 202-4/27	Non-explosion proof ONLY - Oil Filled Motor - Wet or Dry Pit	DN150L	1740	25.00	697	29248
FA 15.95E	FK 27.1-4/24	Non-explosion proof ONLY - Oil Filled Motor - Wet or Dry Pit	DN150L	1740	40.50	939	42108
FA 15.95E	FK 27.1-4/32	Non-explosion proof ONLY - Oil Filled Motor - Wet or Dry Pit	DN150L	1740	56.30	1060	46743

FA 15.96 - Two Vane Impeller

FA 15.96Z	T 17.2-6/24KEx	Air Filled Motor - Wet Pit Only	DN150L	1140	9.10	549	22944
FA 15.96Z	T 20.1-6/22KEx	Air Filled Motor - Wet Pit Only	DN150L	1140	14.70	719	25712
FA 15.96Z	T 20.1-6/32KEx	Air Filled Motor - Wet Pit Only	DN150L	1140	20.80	756	28036
FA 15.96Z	T 24-6/16KEx	Air Filled Motor - Wet Pit Only	DN150L	1140	16.10	756	31127
FA 15.96Z	T 24-6/22KEx	Air Filled Motor - Wet Pit Only	DN150L	1140	24.80	814	34267
FA 15.96Z	T 24-6/28KEx	Air Filled Motor - Wet Pit Only	DN150L	1140	33.50	862	34873
FA 15.96Z	HC 20.1-6/17KEx	Air Filled with Closed Loop Cooling System - Wet or Dry Pit	DN150L	1140	10.70	728	29402
FA 15.96Z	HC 20.1-6/22KEx	Air Filled with Closed Loop Cooling System - Wet or Dry Pit	DN150L	1140	14.70	762	29476
FA 15.96Z	HC 20.1-6/32KEx	Air Filled with Closed Loop Cooling System - Wet or Dry Pit	DN150L	1140	20.80	805	30646
FA 15.96Z	FKT 27.1-6/22KEx	Air Filled with Closed Loop Cooling System - Wet or Dry Pit	DN150L	1140	32.50	1164	40776
FA 15.96Z	FKT 27.1-6/28KEx	Air Filled with Closed Loop Cooling System - Wet or Dry Pit	DN150L	1140	38.50	1208	44981
FA 15.96Z	FK 202-6/12	Non-explosion proof ONLY - Oil Filled Motor - Wet or Dry Pit	DN150L	1140	7.20	582	25767
FA 15.96Z	FK 202-6/17	Non-explosion proof ONLY - Oil Filled Motor - Wet or Dry Pit	DN150L	1140	10.00	611	26594
FA 15.96Z	FK 202-6/22	Non-explosion proof ONLY - Oil Filled Motor - Wet or Dry Pit	DN150L	1140	14.10	653	27675
FA 15.96Z	FK 202-6/27	Non-explosion proof ONLY - Oil Filled Motor - Wet or Dry Pit	DN150L	1140	18.00	690	29532
FA 15.96Z	FK 27.1-6/24	Non-explosion proof ONLY - Oil Filled Motor - Wet or Dry Pit	DN150L	1140	30.80	933	41510
FA 15.96Z	FK 27.1-6/32	Non-explosion proof ONLY - Oil Filled Motor - Wet or Dry Pit	DN150L	1140	37.00	1054	45523
FA 15.96Z	T 17.2-4/24KEx	Air Filled Motor - Wet Pit Only	DN150L	1740	15.40	549	22987
FA 15.96Z	T 20.1-4/22KEx	Air Filled Motor - Wet Pit Only	DN150L	1740	23.50	719	26951
FA 15.96Z	T 20.1-4/30KEx	Air Filled Motor - Wet Pit Only	DN150L	1740	31.50	750	28453
FA 15.96Z	T 24-4/21KEx	Air Filled Motor - Wet Pit Only	DN150L	1740	27.00	805	34605
FA 15.96Z	T 24-4/29KEx	Air Filled Motor - Wet Pit Only	DN150L	1740	38.20	862	35320
FA 15.96Z	T 24-4/36KEx	Air Filled Motor - Wet Pit Only	DN150L	1740	50.30	922	37822
FA 15.96Z	HC 20.1-4/17KEx	Air Filled with Closed Loop Cooling System - Wet or Dry Pit	DN150L	1740	15.40	728	28970
FA 15.96Z	HC 20.1-4/22KEx	Air Filled with Closed Loop Cooling System - Wet or Dry Pit	DN150L	1740	23.50	763	30392
FA 15.96Z	HC 20.1-4/30KEx	Air Filled with Closed Loop Cooling System - Wet or Dry Pit	DN150L	1740	31.50	798	31121
FA 15.96Z	FKT 27.1-4/22KEx	Air Filled with Closed Loop Cooling System - Wet or Dry Pit	DN150L	1740	41.00	1164	40968
FA 15.96Z	FKT 27.1-4/28KEx	Air Filled with Closed Loop Cooling System - Wet or Dry Pit	DN150L	1740	57.00	1208	45292
FA 15.96Z	FK 202-4/17	Non-explosion proof ONLY - Oil Filled Motor - Wet or Dry Pit	DN150L	1740	15.40	611	25998
FA 15.96Z	FK 202-4/22	Non-explosion proof ONLY - Oil Filled Motor - Wet or Dry Pit	DN150L	1740	20.00	653	26667
FA 15.96Z	FK 202-4/27	Non-explosion proof ONLY - Oil Filled Motor - Wet or Dry Pit	DN150L	1740	25.00	690	28649
FA 15.96Z	FK 27.1-4/24	Non-explosion proof ONLY - Oil Filled Motor - Wet or Dry Pit	DN150L	1740	40.50	933	41510
FA 15.96Z	FK 27.1-4/32	Non-explosion proof ONLY - Oil Filled Motor - Wet or Dry Pit	DN150L	1740	56.30	1054	46144

6" Engineered Sewage Pumps



FA 15.99 - Three Vane Impeller							
FA 15.99D	T 30-6/28KEEx	Air Filled Motor - Wet Pit Only	DN150S	1140	44.30	1534	60971
FA 15.99D	T 30-6/35KEEx	Air Filled Motor - Wet Pit Only	DN150S	1140	54.00	1623	64361
FA 15.99D	T 30-6/41KEEx	Air Filled Motor - Wet Pit Only	DN150S	1140	65.00	1656	68174
FA 15.99D	T 30-6/48KEEx	Air Filled Motor - Wet Pit Only	DN150S	1140	76.00	1788	69585
FA 15.99D	T 34-6/29KEEx	Air Filled Motor - Wet Pit Only	DN150S	1140	68.00	1706	67017
FA 15.99D	T 34-6/32KEEx	Air Filled Motor - Wet Pit Only	DN150S	1140	81.00	1801	70126
FA 15.99D	T 34-6/41KEEx	Air Filled Motor - Wet Pit Only	DN150S	1140	101.00	1898	73350
FA 15.99D	T 34-6/50KEEx	Air Filled Motor - Wet Pit Only	DN150S	1140	111.00	2044	79240
FA 15.99D	T 49-6/43GEx	Air Filled Motor - Wet Pit Only	DN150S	1140	250.00	4145	173707
FA 15.99D	FK 34.1-6/24	Non-explosion proof ONLY - Oil Filled Motor - Wet or Dry Pit	DN150S	1140	54.00	1929	76139
FA 15.99D	FK 34.1-6/29	Non-explosion proof ONLY - Oil Filled Motor - Wet or Dry Pit	DN150S	1140	68.00	2017	80274
FA 15.99D	FK 34.1-6/33	Non-explosion proof ONLY - Oil Filled Motor - Wet or Dry Pit	DN150S	1140	81.00	2088	83034
FA 15.99D	FK 34.1-6/42	Non-explosion proof ONLY - Oil Filled Motor - Wet or Dry Pit	DN150S	1140	94.00	2194	88354
FA 15.99D	FK 34.1-6/50	Non-explosion proof ONLY - Oil Filled Motor - Wet or Dry Pit	DN150S	1140	108.00	2337	95365
FA 15.99D	FK 34.1-6/60	Non-explosion proof ONLY - Oil Filled Motor - Wet or Dry Pit	DN150S	1140	135.00	2513	102283
FA 15.99D	FK 42.1-6/36	Non-explosion proof ONLY - Oil Filled Motor - Wet or Dry Pit	DN150S	1140	148.00	3241	128579
FA 15.99D	FK 42.1-6/46	Non-explosion proof ONLY - Oil Filled Motor - Wet or Dry Pit	DN150S	1140	161.00	3483	137734
FA 15.99D	FK 42.1-6/50	Non-explosion proof ONLY - Oil Filled Motor - Wet or Dry Pit	DN150S	1140	205.00	3583	142425
FA 15.99D	FK 42.1-6/60	Non-explosion proof ONLY - Oil Filled Motor - Wet or Dry Pit	DN150S	1140	230.00	4012	150957

* If explosion proof rating is not required the following credit can be applied:

Motor:	Credit:
T 17; T 17.2; FK 17.1	\$607.00
T 20.1	\$763.00
FKT 27.1	\$1,959.00
T 24; HC 20.1;	\$1,298.00
T 30	\$2,457.00
T 34	\$2,696.00
T 49	\$4,500.00

8" Engineered Sewage Pumps



Pump and Motor

All pumps shall be equipped with 33' Power and Control Cable

Model	Motor Design	Description	Susp Device	Speed	HP	Approx Wt. (lbs.)	List Price (\$)
FA 20.34 - Single Vane Impeller							
FA 20.34E	T 24-6/16KEx	Air Filled Motor - Wet Pit Only	DN200	1140	16.10	994	40383
FA 20.34E	T 24-6/22KEx	Air Filled Motor - Wet Pit Only	DN200	1140	24.80	1052	43523
FA 20.34E	T 24-6/28KEx	Air Filled Motor - Wet Pit Only	DN200	1140	33.50	1100	44128
FA 20.34E	T 30-6/28KEx	Air Filled Motor - Wet Pit Only	DN200	1140	44.30	1504	59028
FA 20.34E	T 30-6/35KEx	Air Filled Motor - Wet Pit Only	DN200	1140	54.00	1592	62417
FA 20.34E	T 30-6/41KEx	Air Filled Motor - Wet Pit Only	DN200	1140	65.00	1625	66231
FA 20.34E	T 30-6/48KEx	Air Filled Motor - Wet Pit Only	DN200	1140	76.00	1757	67641
FA 20.34E	T 34-6/29KEx	Air Filled Motor - Wet Pit Only	DN200	1140	68.00	1676	65074
FA 20.34E	T 34-6/32KEx	Air Filled Motor - Wet Pit Only	DN200	1140	81.00	1770	68183
FA 20.34E	T 34-6/41KEx	Air Filled Motor - Wet Pit Only	DN200	1140	101.00	1867	71884
FA 20.34E	T 34-6/50KEx	Air Filled Motor - Wet Pit Only	DN200	1140	111.00	2013	77297
FA 20.34E	FKT 27.1-6/22KEx	Air Filled with Closed Loop Cooling System - Wet or Dry Pit	DN200	1140	32.50	1402	50031
FA 20.34E	FKT 27.1-6/28KEx	Air Filled with Closed Loop Cooling System - Wet or Dry Pit	DN200	1140	38.50	1446	54237
FA 20.34E	FK 202-6/22	Non-explosion proof ONLY - Oil Filled Motor - Wet or Dry Pit	DN200	1140	14.10	891	36934
FA 20.34E	FK 202-6/27	Non-explosion proof ONLY - Oil Filled Motor - Wet or Dry Pit	DN200	1140	18.00	928	38788
FA 20.34E	FK 27.1-6/24	Non-explosion proof ONLY - Oil Filled Motor - Wet or Dry Pit	DN200	1140	30.80	1171	50765
FA 20.34E	FK 27.1-6/32	Non-explosion proof ONLY - Oil Filled Motor - Wet or Dry Pit	DN200	1140	37.00	1292	54779
FA 20.34E	FK 34.1-6/24	Non-explosion proof ONLY - Oil Filled Motor - Wet or Dry Pit	DN200	1140	54.00	1898	74185
FA 20.34E	FK 34.1-6/29	Non-explosion proof ONLY - Oil Filled Motor - Wet or Dry Pit	DN200	1140	68.00	1986	78290
FA 20.34E	FK 34.1-6/33	Non-explosion proof ONLY - Oil Filled Motor - Wet or Dry Pit	DN200	1140	81.00	2057	81051
FA 20.34E	FK 34.1-6/42	Non-explosion proof ONLY - Oil Filled Motor - Wet or Dry Pit	DN200	1140	94.00	2163	86411
FA 20.34E	FK 34.1-6/50	Non-explosion proof ONLY - Oil Filled Motor - Wet or Dry Pit	DN200	1140	108.00	2306	93422
FA 20.34E	FK 34.1-6/60	Non-explosion proof ONLY - Oil Filled Motor - Wet or Dry Pit	DN200	1140	135.00	2492	100339

8" Engineered Sewage Pumps



FA 20.54 - Single Vane Impeller

FA 20.54E	T 17-6/16KEx	Air Filled Motor - Wet Pit Only	DN200	1140	6.00	434	20566
FA 20.54E	T 17.2-6/24KEx	Air Filled Motor - Wet Pit Only	DN200	1140	9.10	498	22702
FA 20.54E	T 20.1-6/22KEx	Air Filled Motor - Wet Pit Only	DN200	1140	14.70	668	25471
FA 20.54E	T 20.1-6/32KEx	Air Filled Motor - Wet Pit Only	DN200	1140	20.80	706	27795
FA 20.54E	T 24-6/16KEx	Air Filled Motor - Wet Pit Only	DN200	1140	16.10	706	30886
FA 20.54E	T 24-6/22KEx	Air Filled Motor - Wet Pit Only	DN200	1140	24.80	763	34025
FA 20.54E	T 24-6/28KEx	Air Filled Motor - Wet Pit Only	DN200	1140	33.50	811	34631
FA 20.54E	FK 17.1-6/16KEx	Oil Filled Motor - Wet or Dry Pit	DN200	1140	6.20	534	21627
FA 20.54E	HC 20.1-6/17KEx	Air Filled with Closed Loop Cooling System - Wet or Dry Pit	DN200	1140	10.70	677	29161
FA 20.54E	HC 20.1-6/22KEx	Air Filled with Closed Loop Cooling System - Wet or Dry Pit	DN200	1140	14.70	712	29234
FA 20.54E	HC 20.1-6/32KEx	Air Filled with Closed Loop Cooling System - Wet or Dry Pit	DN200	1140	20.80	754	30210
FA 20.54E	FKT 27.1-6/22KEx	Air Filled with Closed Loop Cooling System - Wet or Dry Pit	DN200	1140	32.50	1113	40534
FA 20.54E	FKT 27.1-6/28KEx	Air Filled with Closed Loop Cooling System - Wet or Dry Pit	DN200	1140	38.50	1157	44739
FA 20.54E	FK 17.1-6/12K	Oil Filled Motor - Wet or Dry Pit	DN200	1140	4.70	500	20577
FA 20.54E	FK 202-6/12	Non-explosion proof ONLY - Oil Filled Motor - Wet or Dry Pit	DN200	1140	7.20	531	25526
FA 20.54E	FK 202-6/17	Non-explosion proof ONLY - Oil Filled Motor - Wet or Dry Pit	DN200	1140	10.00	560	26353
FA 20.54E	FK 202-6/22	Non-explosion proof ONLY - Oil Filled Motor - Wet or Dry Pit	DN200	1140	14.10	602	27433
FA 20.54E	FK 202-6/27	Non-explosion proof ONLY - Oil Filled Motor - Wet or Dry Pit	DN200	1140	18.00	639	29291
FA 20.54E	FK 27.1-6/24	Non-explosion proof ONLY - Oil Filled Motor - Wet or Dry Pit	DN200	1140	30.80	882	41268
FA 20.54E	FK 27.1-6/32	Non-explosion proof ONLY - Oil Filled Motor - Wet or Dry Pit	DN200	1140	37.00	1003	45281
FA 20.54E	T 20.1-4/22KEx	Air Filled Motor - Wet Pit Only	DN200	1740	23.50	668	26710
FA 20.54E	T 20.1-4/30KEx	Air Filled Motor - Wet Pit Only	DN200	1740	31.50	699	28211
FA 20.54E	T 24-4/21KEx	Air Filled Motor - Wet Pit Only	DN200	1740	27.00	754	34363
FA 20.54E	T 24-4/29KEx	Air Filled Motor - Wet Pit Only	DN200	1740	38.20	811	35078
FA 20.54E	T 24-4/36KEx	Air Filled Motor - Wet Pit Only	DN200	1740	50.30	871	37581
FA 20.54E	FKT 27.1-4/22KEx	Air Filled with Closed Loop Cooling System - Wet or Dry Pit	DN200	1740	41.00	1113	40726
FA 20.54E	FKT 27.1-4/28KEx	Air Filled with Closed Loop Cooling System - Wet or Dry Pit	DN200	1740	57.00	1157	45050
FA 20.54E	FK 27.1-4/24	Non-explosion proof ONLY - Oil Filled Motor - Wet or Dry Pit	DN200	1740	40.20	882	41268
FA 20.54E	FK 27.1-4/32	Non-explosion proof ONLY - Oil Filled Motor - Wet or Dry Pit	DN200	1740	56.30	1003	45903
FA 20.54E	HC 20.1-4/22KEx	Air Filled with Closed Loop Cooling System - Wet or Dry Pit	DN200	1740	23.50	712	30151
FA 20.54E	HC 20.1-4/30KEx	Air Filled with Closed Loop Cooling System - Wet or Dry Pit	DN200	1740	32.00	747	30879
FA 20.54E	FK 202-4/22	Non-explosion proof ONLY - Oil Filled Motor - Wet or Dry Pit	DN200	1740	20.00	602	26425
FA 20.54E	FK 202-4/27	Non-explosion proof ONLY - Oil Filled Motor - Wet or Dry Pit	DN200	1740	25.00	639	28408

FA 20.73 - Three Vane Impeller

FA 20.73D	T 17-6/16KEx	Air Filled Motor - Wet Pit Only	DN200	1140	6.00	403	21545
FA 20.73D	T 17.2-6/24KEx	Air Filled Motor - Wet Pit Only	DN200	1140	9.10	467	23681
FA 20.73D	T 20.1-6/22KEx	Air Filled Motor - Wet Pit Only	DN200	1140	14.70	637	26450
FA 20.73D	T 20.1-6/32KEx	Air Filled Motor - Wet Pit Only	DN200	1140	20.80	675	28773
FA 20.73D	T 24-6/16KEx	Air Filled Motor - Wet Pit Only	DN200	1140	16.10	675	31864

8" Engineered Sewage Pumps



FA 20.73D	T 24-6/22KEx	Air Filled Motor - Wet Pit Only	DN200	1140	24.80	732	35004
FA 20.73D	T 24-6/28KEx	Air Filled Motor - Wet Pit Only	DN200	1140	33.50	780	48188
FA 20.73D	FK 17.1-6/16KEx	Oil Filled Motor - Wet or Dry Pit	DN200	1140	6.20	503	22605
FA 20.73D	HC 20.1-6/17KEx	Air Filled with Closed Loop Cooling System - Wet or Dry Pit	DN200	1140	10.70	646	30139
FA 20.73D	HC 20.1-6/22KEx	Air Filled with Closed Loop Cooling System - Wet or Dry Pit	DN200	1140	14.70	681	30213
FA 20.73D	HC 20.1-6/32KEx	Air Filled with Closed Loop Cooling System - Wet or Dry Pit	DN200	1140	20.80	723	31383
FA 20.73D	FKT 27.1-6/22KEx	Air Filled with Closed Loop Cooling System - Wet or Dry Pit	DN200	1140	32.50	1083	41513
FA 20.73D	FKT 27.1-6/28KEx	Air Filled with Closed Loop Cooling System - Wet or Dry Pit	DN200	1140	38.50	1127	45718
FA 20.73D	FK 202-6/12	Non-explosion proof ONLY - Oil Filled Motor - Wet or Dry Pit	DN200	1140	7.20	500	26504
FA 20.73D	FK 202-6/17	Non-explosion proof ONLY - Oil Filled Motor - Wet or Dry Pit	DN200	1140	10.00	529	27332
FA 20.73D	FK 202-6/22	Non-explosion proof ONLY - Oil Filled Motor - Wet or Dry Pit	DN200	1140	14.10	571	28412
FA 20.73D	FK 202-6/27	Non-explosion proof ONLY - Oil Filled Motor - Wet or Dry Pit	DN200	1140	18.00	609	30268
FA 20.73D	FK 27.1-6/24	Non-explosion proof ONLY - Oil Filled Motor - Wet or Dry Pit	DN200	1140	30.80	851	42247
FA 20.73D	FK 27.1-6/32	Non-explosion proof ONLY - Oil Filled Motor - Wet or Dry Pit	DN200	1140	37.00	972	46260
FA 20.73D	T 20.1-4/22KEx	Air Filled Motor - Wet Pit Only	DN200	1740	23.50	637	27689
FA 20.73D	T 20.1-4/30KEx	Air Filled Motor - Wet Pit Only	DN200	1740	31.50	668	29190
FA 20.73D	T 24-4/21KEx	Air Filled Motor - Wet Pit Only	DN200	1740	27.00	723	35342
FA 20.73D	T 24-4/29KEx	Air Filled Motor - Wet Pit Only	DN200	1740	38.20	780	36057
FA 20.73D	T 24-4/36KEx	Air Filled Motor - Wet Pit Only	DN200	1740	50.30	840	37196
FA 20.73D	FKT 27.1-4/22KEx	Air Filled with Closed Loop Cooling System - Wet or Dry Pit	DN200	1740	41.00	1083	41705
FA 20.73D	FKT 27.1-4/28KEx	Air Filled with Closed Loop Cooling System - Wet or Dry Pit	DN200	1740	57.00	1127	46029
FA 20.73D	FK 27.1-4/24	Non-explosion proof ONLY - Oil Filled Motor - Wet or Dry Pit	DN200	1740	40.20	851	42247
FA 20.73D	FK 27.1-4/32	Non-explosion proof ONLY - Oil Filled Motor - Wet or Dry Pit	DN200	1740	56.30	972	46881
FA 20.73D	HC 20.1-4/22KEx	Air Filled with Closed Loop Cooling System - Wet or Dry Pit	DN200	1740	23.50	681	31129
FA 20.73D	HC 20.1-4/30KEx	Air Filled with Closed Loop Cooling System - Wet or Dry Pit	DN200	1740	32.00	717	31858
FA 20.73D	FK 202-4/22	Non-explosion proof ONLY - Oil Filled Motor - Wet or Dry Pit	DN200	1740	20.00	571	27404
FA 20.73D	FK 202-4/27	Non-explosion proof ONLY - Oil Filled Motor - Wet or Dry Pit	DN200	1740	25.00	609	29386

FA 20.78 - Three Vane Impeller

FA 20.78D	T 30-6/28KEx	Air Filled Motor - Wet Pit Only	DN200	1140	44.30	1766	60867
FA 20.78D	T 30-6/35KEx	Air Filled Motor - Wet Pit Only	DN200	1140	54.00	1854	63707
FA 20.78D	T 30-6/41KEx	Air Filled Motor - Wet Pit Only	DN200	1140	65.00	1887	68069
FA 20.78D	T 30-6/48KEx	Air Filled Motor - Wet Pit Only	DN200	1140	76.00	2019	69481
FA 20.78D	T 34-6/29KEx	Air Filled Motor - Wet Pit Only	DN200	1140	68.00	1938	66913
FA 20.78D	T 34-6/32KEx	Air Filled Motor - Wet Pit Only	DN200	1140	81.00	2033	70022
FA 20.78D	T 34-6/41KEx	Air Filled Motor - Wet Pit Only	DN200	1140	101.00	2130	73246
FA 20.78D	T 34-6/50KEx	Air Filled Motor - Wet Pit Only	DN200	1140	111.00	2275	79136
FA 20.78D	T 42-6/36G	Non-explosion proof ONLY - Air Filled Motor - Wet Pit Only	DN200	1140	148.00	3097	115955
FA 20.78D	T 42-6/46G	Non-explosion proof ONLY - Air Filled Motor - Wet Pit Only	DN250S	1140	161.00	3318	124837
FA 20.78D	T 42-6/52G	Non-explosion proof ONLY - Air Filled Motor - Wet Pit Only	DN250S	1140	205.00	3450	131359
FA 20.78D	T 49-6/43GEx	Air Filled Motor - Wet Pit Only	DN250S	1140	250.00	4376	173603

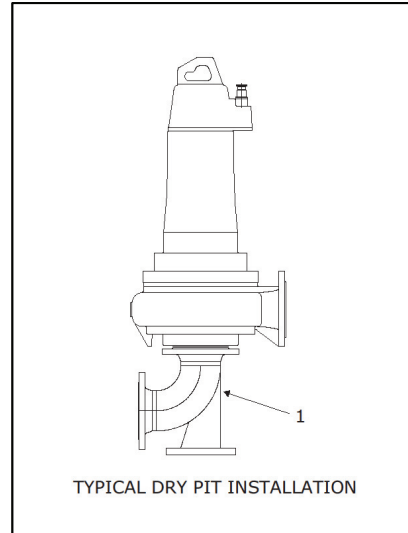
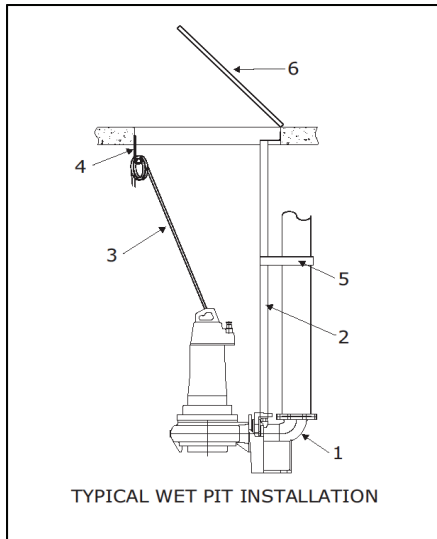
8" Engineered Sewage Pumps



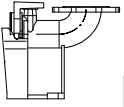

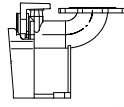

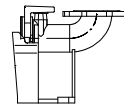
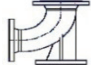

FA 20.78D	T 49-6/52GEx	Air Filled Motor - Wet Pit Only	DN250S	1140	305.00	4740	189775
FA 20.78D	T 49-6/53GEx	Air Filled Motor - Wet Pit Only	DN250S	1140	330.00	4740	191751
FA 20.78D	T 49-6/58GEx	Air Filled Motor - Wet Pit Only	DN250S	1140	370.00	4927	196831
FA 20.78D	T 56-6/53GEx	Air Filled Motor - Wet Pit Only	DN250S	1140	420.00	5611	241633
FA 20.78D	T 56-6/58GEx	Air Filled Motor - Wet Pit Only	DN250S	1140	460.00	5831	246894
FA 20.78D	T 56-6/64GEx	Air Filled Motor - Wet Pit Only	DN250S	1140	500.00	6085	251988
FA 20.78D	T 56-6/70GEx	Air Filled Motor - Wet Pit Only	DN250S	1140	540.00	6338	255971
FA 20.78D	T 56-6/78GEx	Air Filled Motor - Wet Pit Only	DN250S	1140	620.00	6691	273877
FA 20.78D	FK 34.1-6/24	Non-explosion proof ONLY - Oil Filled Motor - Wet or Dry Pit	DN200	1140	54.00	2161	76024
FA 20.78D	FK 34.1-6/29	Non-explosion proof ONLY - Oil Filled Motor - Wet or Dry Pit	DN200	1140	68.00	2249	80170
FA 20.78D	FK 34.1-6/33	Non-explosion proof ONLY - Oil Filled Motor - Wet or Dry Pit	DN200	1140	81.00	2319	82930
FA 20.78D	FK 34.1-6/42	Non-explosion proof ONLY - Oil Filled Motor - Wet or Dry Pit	DN200	1140	94.00	2425	88250
FA 20.78D	FK 34.1-6/50	Non-explosion proof ONLY - Oil Filled Motor - Wet or Dry Pit	DN200	1140	108.00	2568	95261
FA 20.78D	FK 34.1-6/60	Non-explosion proof ONLY - Oil Filled Motor - Wet or Dry Pit	DN200	1140	135.00	2745	102179
FA 20.78D	FK 42.1-6/36	Non-explosion proof ONLY - Oil Filled Motor - Wet or Dry Pit	DN250S	1140	148.00	3472	128475
FA 20.78D	FK 42.1-6/46	Non-explosion proof ONLY - Oil Filled Motor - Wet or Dry Pit	DN250S	1140	161.00	3715	136406
FA 20.78D	FK 42.1-6/50	Non-explosion proof ONLY - Oil Filled Motor - Wet or Dry Pit	DN250S	1140	205.00	3814	140910
FA 20.78D	FK 42.1-6/60	Non-explosion proof ONLY - Oil Filled Motor - Wet or Dry Pit	DN250S	1140	230.00	4244	150897
FA 20.78D	T 34-4/43KEx	Air Filled Motor - Wet Pit Only	DN200	1740	127.30	2163	75061
FA 20.78D	T 49-4/30GEx	Air Filled Motor - Wet Pit Only	DN250S	1740	225.00	3902	171827
FA 20.78D	T 49-4/36GEx	Air Filled Motor - Wet Pit Only	DN250S	1740	250.00	4123	172598
FA 20.78D	T 49-4/42GEx	Air Filled Motor - Wet Pit Only	DN250S	1740	305.00	4376	175579
FA 20.78D	T 49-4/50GEx	Air Filled Motor - Wet Pit Only	DN250S	1740	360.00	4740	193726
FA 20.78D	T 42-4/36G	Air Filled Motor - Wet Pit Only	DN200	1740	148.00	3097	115955
FA 20.78D	T 42-4/42G	Non-explosion proof ONLY - Air Filled Motor - Wet Pit Only	DN200	1740	182.00	3252	122170
FA 20.78D	T 42-4/51G	Non-explosion proof ONLY - Air Filled Motor - Wet Pit Only	DN250S	1740	215.00	3406	129926
FA 20.78D	T 56-4/49G	Non-explosion proof ONLY - Air Filled Motor - Wet Pit Only	DN250S	1740	450.00	5611	236734
FA 20.78D	FK 34.1-4/42	Non-explosion proof ONLY - Oil Filled Motor - Wet or Dry Pit	DN200	1740	127.30	2425	92699
FA 20.78D	FK 34.1-4/42	Non-explosion proof ONLY - Oil Filled Motor - Wet or Dry Pit	DN200	1740	148.00	2425	89292
FA 20.78D	FK 42.1-4/36	Non-explosion proof ONLY - Oil Filled Motor - Wet or Dry Pit	DN250S	1740	161.00	3472	128358

* If explosion proof rating is not required the following credit can be applied:

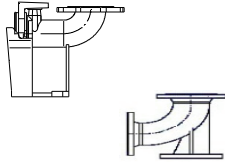
Motor:	Credit:
T 17; T 17.2; FK 17.1	\$607.00
T 20.1	\$763.00
FKT 27.1	\$1,959.00
T 24; HC 20.1;	\$1,298.00
T 30	\$2,457.00
T 34	\$2,696.00
T 49; T56	\$4,500.00



Accessories - Common

Picture	Description	Part Number	List Price (\$)
1. Discharge/Suction Elbow			
	3" Discharge Elbow DN 80/2RK (SB) <240 kg	6036888	637
	3" Dry Pit Suction Elbow - Free Standing	6001558	920
	3" Dry Pit Suction Elbow - Free Hanging		CONTACT FACTORY
	4" Discharge Elbow DN 100/2RK (SB) <300 kg	6036889	920
	4" Dry Pit Suction Elbow - Free Standing	6001559	943
	4" Dry Pit Suction Elbow - Free Hanging		CONTACT FACTORY
	6" Light Duty Discharge Elbow (DN150L/2RK) (SB) < 570 kg	6036890	1896
	6" Heavy Duty Discharge Elbow (DN150S/2RK) (SB) <1800 kg	2313344	5924
	6" Dry Pit Suction Elbow - Free Standing	6001560	1609
	6" Dry Pit Suction Elbow - Free Hanging		CONTACT FACTORY
	3" x 4" Adaptor Flange		1439
	4" x 6" Adaptor Flange	2711413	2007

Accessories



8" Discharge Elbow (DN200/2RK) (SB) < 1500 kg		5359
10" Discharge Elbow (DN250S/2RK) (SB) <3000 kg		19381
8" Dry Pit Suction Elbow - Free Standing	6001561	2348
8" Dry Pit Suction Elbow - Free Hanging		CONTACT FACTORY

Special Coating

3" Pump Outside Volute		418
3" Pump Inside Volute & Impeller		1400
3" Impeller Only		494
4" Pump Outside Volute		555
4" Pump Inside Volute & Impeller		1750
4" Impeller Only		562
6" Pump Outside Volute		672
6" Pump Inside Volute & Impeller		2565
6" Impeller Only		689
8" Pump Outside Volute		1095
8" Pump Inside Volute & Impeller		3468
8: Impeller Only		844
Motor T12		610
Motor T13		692
Motor FK17.1, T17, T17.2		838
Motor FK202, HC20.1, T20.1		1281
Motor T24		2105
Motor FKT27.1		2574
Motor T30		3043
Motor FK34.1, T34		3745
Motor FK42.1, T42		4680
Motor T49		5616
Motor T56		7491

Cable Adder (Per Foot)

T12; T13; T 17; T 17.2; FK 17.1	105
T 20.1; HC20.1; FK 202; FKT27.1	152
T24; T30; FK27.1	219
T 34; FK 34.1; T42; FK 42.1;	405
T 49	657

Accessories



T 56

1042



2. Guide Rails

Guide Rails (1 1/4") 20' (304SS)	2710095	366
Guide Rails (1 1/4") 20' (316SS)	2710242	662
Guide Rails (2") 20' (304SS)	2710235	688
Guide Rails (2") 20' (316SS)	2710768	1142

3a. Lifting Chain 20'



1/4" 304SS (<1,860 lbs)	2710070	499
1/4" 316SS (<1,860 lbs)	2710242	662
3/8" 304SS (<3,000 lbs)	2710173	560
3/8" 316SS (<3,000 lbs)	2710171	1213

3.b Lifting Cable 20'



1/4" 304SS (<2,560 lbs)	2710059	198
1/4" 316SS (<2,560 lbs)	2710236	238
3/8" 304SS (<12,000 lbs)	2710173	390
3/8" 316SS (<12,000 lbs)		1023

4. Cable Holders

304SS Cable Holder	2710128	110
304SS Heavy Duty Cable Holders	2710526	295

Relays

Moisture Relay	2710132	258
Thermal Relay	2710133	170
PT100 Relay	2710259	1151
Macromatic Combined Relay	2711571	295

Accessories - Options

Picture	Description	Part Number	
	Flygt Adaptor Coupling - 4"	2710738	2398
	Flygt Adaptor Coupling - 6"	2710763	2399

Accessories



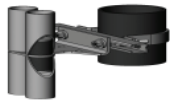
Flygt Adaptor Coupling - 8" 2711051 **2400**

Grip Eye 20' 2710165 **1041**

Abrasit Impeller **CONTACT FACTORY**

Abrasit Volute **CONTACT FACTORY**

5. Intermediate Guide Rail Bracket (Installations >20')

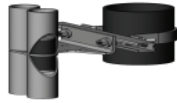


Intermediate Bracket (304SS)

4" Pipe Diameter **880**

6" Pipe Diameter **880**

8" Pipe Diameter **880**



Intermediate Bracket (316SS)

4" Pipe Diameter **1497**

6" Pipe Diameter **1497**

8" Pipe Diameter **1605**

Accessories - Access Hatches

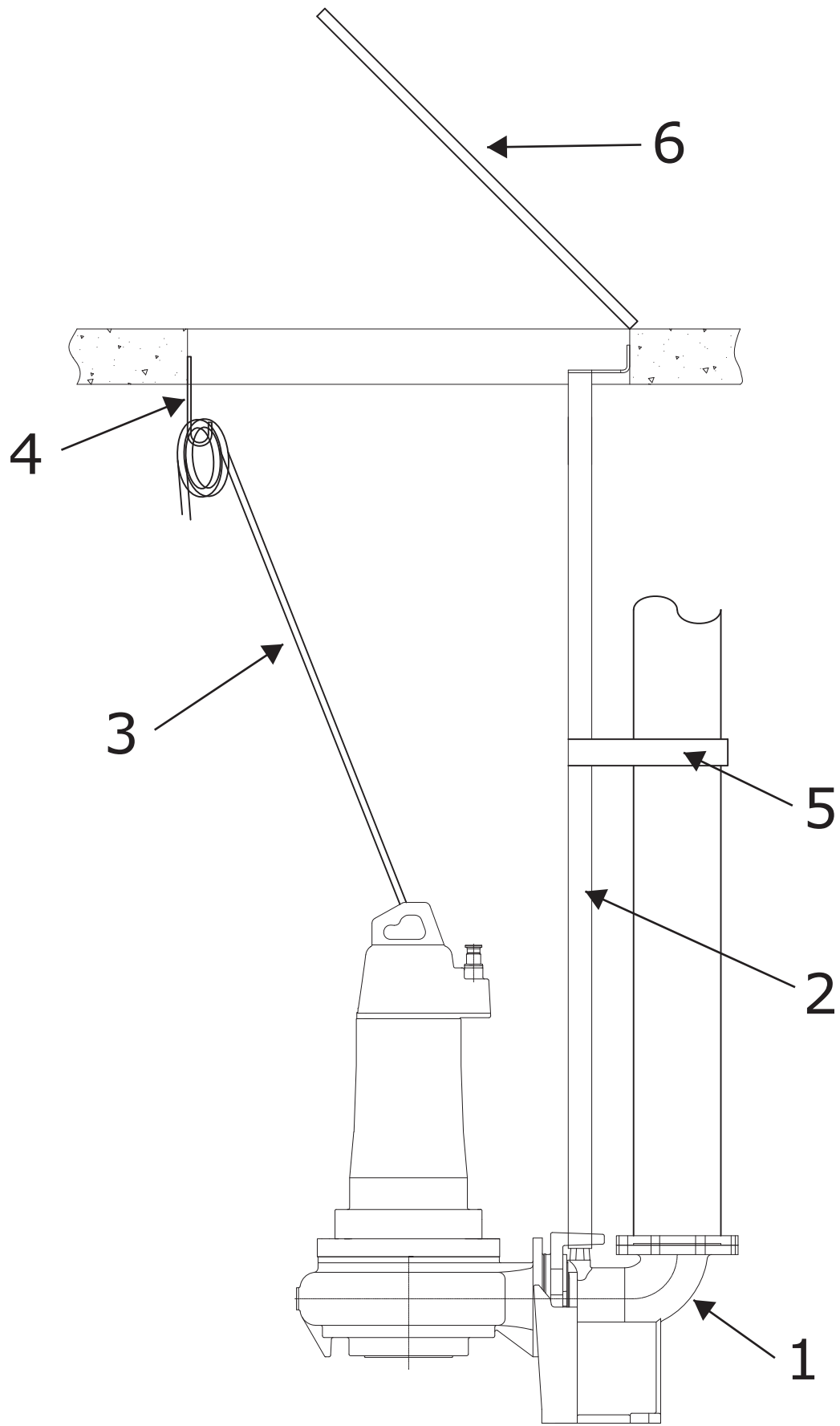
Access Hatches are as Manufactured by Halliday products. Other manufacturers and sizes upon request.

Picture	Description	Part Number	
<u>6. Access Hatches</u>			
Single Door 300lbs Rating			
	24" x 24"	S1R	1155
	24" x 36"	S1R	1317
	30" x 36"	S1R	1497
	30" x 42"	S1R	1571
	30" x 48"	S1R	1709
	30" x 54"	S1R	1894
	30" x 60"	S1R	2060
	36" x 48"	S1R	2060
	36" x 54"	S1R	2181
	36" x 60"	S1R	2402
Double Door 300lbs Rating			
	42" x 42"	S2R	2083
	54" x 42"	S2R	2606
	60" x 36"	S2R	2601
	60" x 42"	S2R	2772

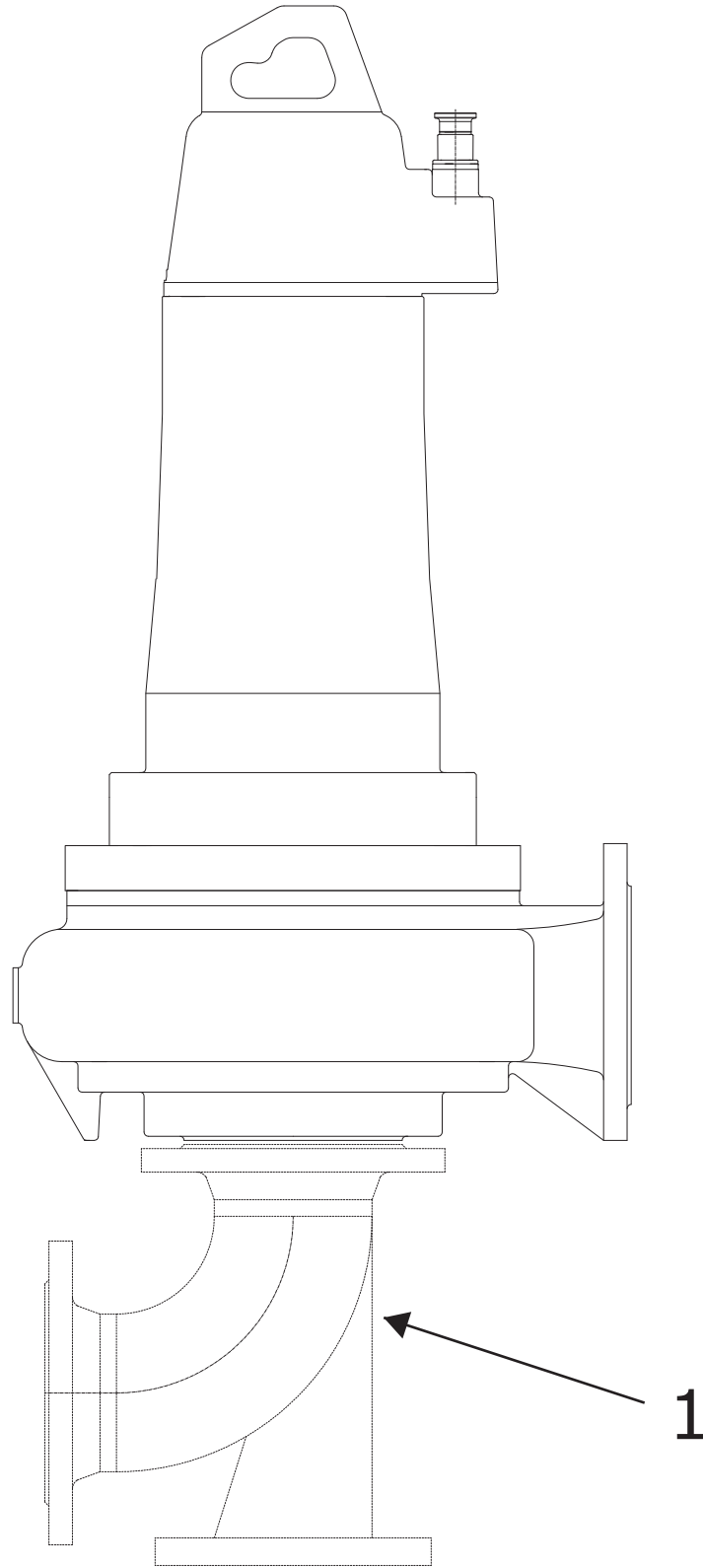
Accessories



72" x 36"	S2R	2911
72" x 48"	S2R	3650
Single Door H20 Rating		
24" x 24"	H1W	2633
24" x 36"	H1W	3132
30" x 36"	H1W	3428
30" x 42"	H1W	3677
30" x 48"	H1W	4135
36" x 48"	H1W	4851
Double Door H20 Rating		
42" x 42"	H2W	7854
54" x 42"	H2W	8593
60" x 48"	H2W	8801
72" x 48"	H2W	9540



TYPICAL WET PIT INSTALLATION



TYPICAL DRY PIT INSTALLATION



Pumpen Intelligenz.

WILO USA LLC
1290 N 25th Ave
Melrose Park, IL
60160

Toll-Free 866-945-6872
Fax 229-584-0234
Email info@wilo-usa.com
Web www.wilo-usa.com

WPL-WM002-02-11 (Supercedes WPL-WM001-05-10 and older)

Prices are valid from February 1, 2011 and are subject to change without notice.